

JUKI

Chainstitch Blindstitch Sewing Machine
(Skip Stitch)

CB-630 • CB-640
Series

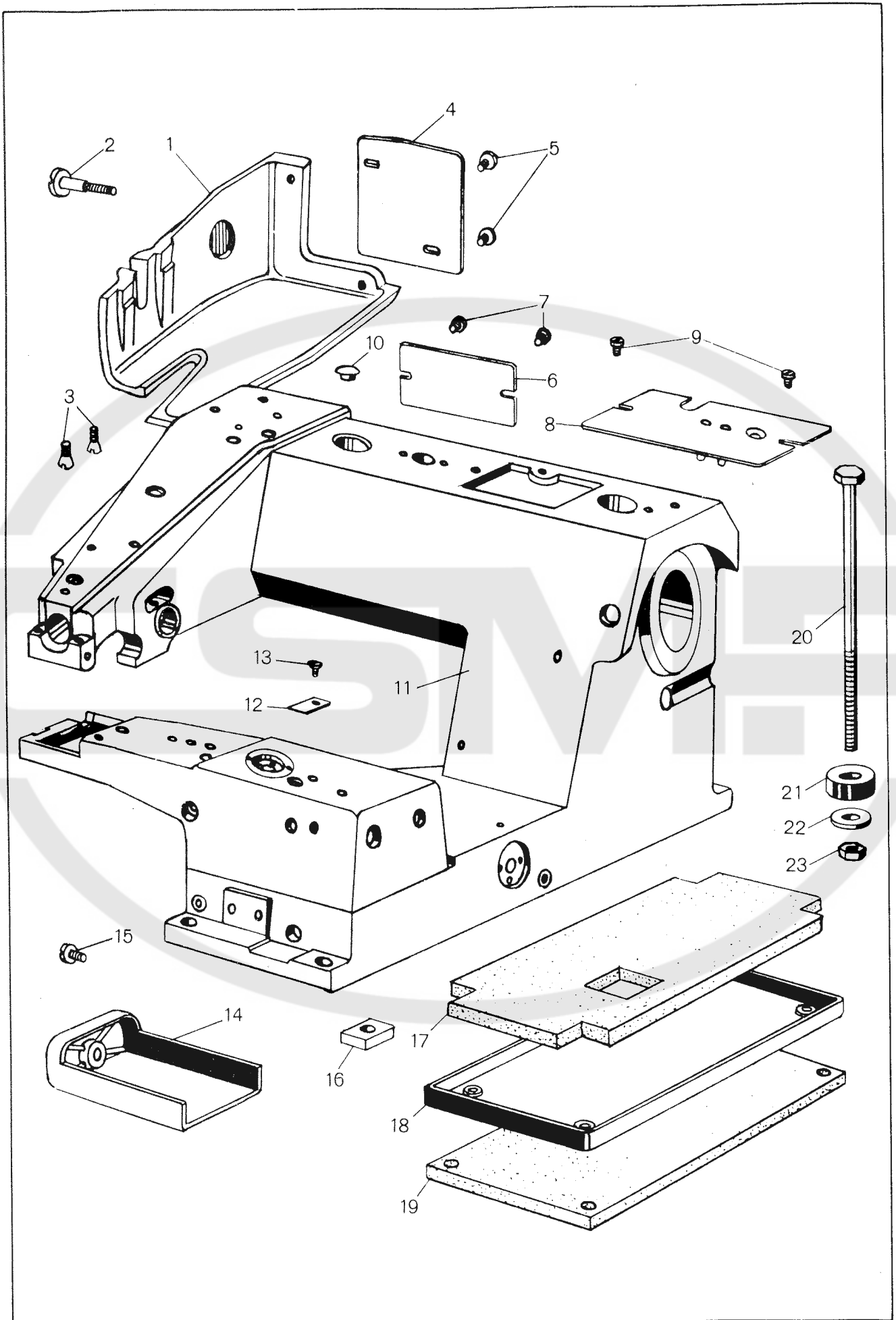
PARTS LIST

CSTMP



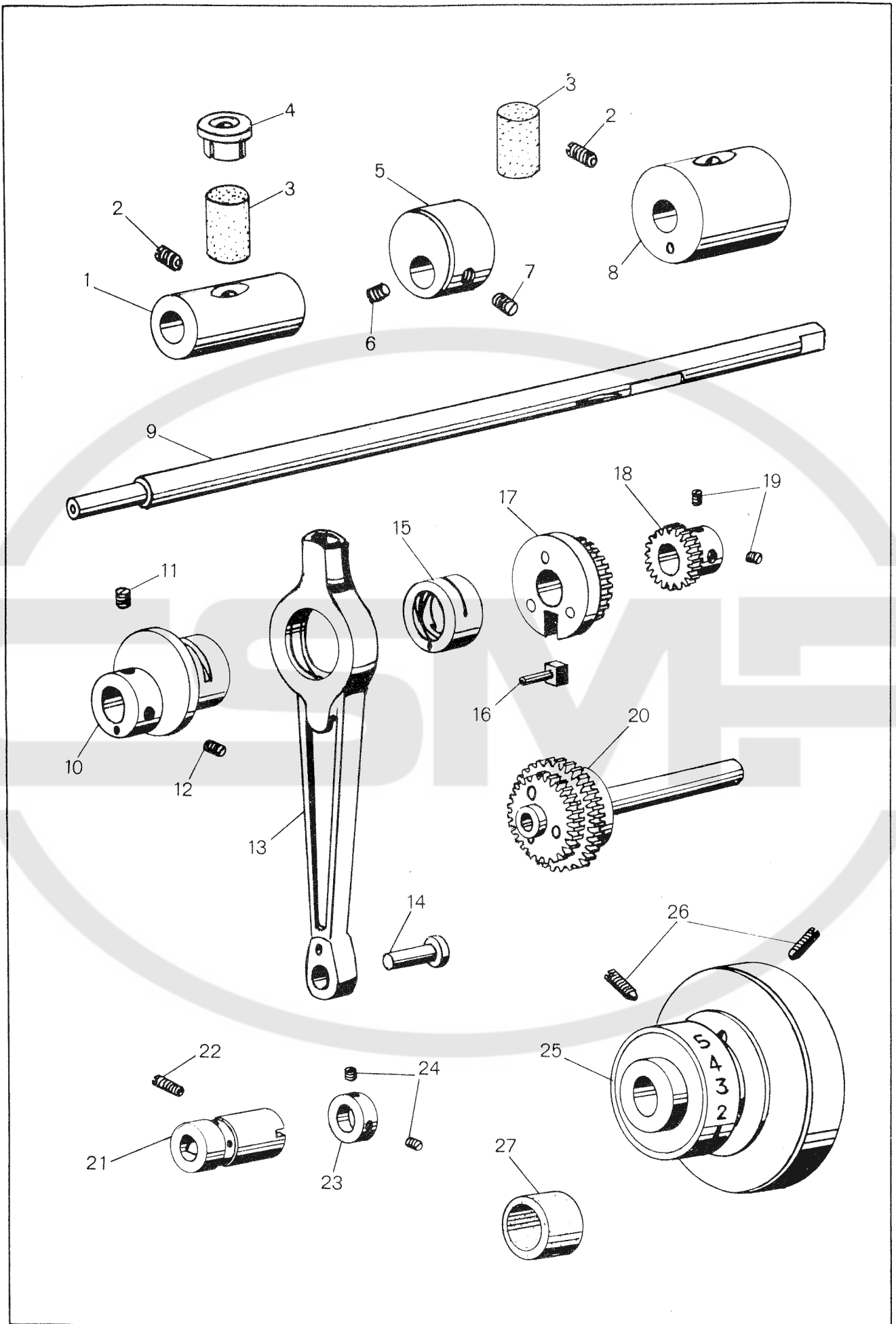
CONTENTS

	Page
Machine Frame & Covers Components	2
Main Shaft Mechanism Components	4
Needle Carrier & Feed Dog Mechanism Components	6
Looper Drive Mechanism & Presser Foot Parts Components	8
Disc Oscillating Mechanism Components	10
Ridge Forming Disc & Feed Plate Mechanism Components	12
Disc Locking Mechanism & Knee Press Shaft Parts Components	14
Thread Tension & Nipper Parts Components	16
Work Plate, Knee Press & Belt Cover Parts Components	18
Standard Accessories	20
Additional Parts for Model CB-641	22
Additional Parts for Model CB-643	24
Additional Parts for Model CB-644	26
Additional Parts for Model CB-638	28
ATTACHMENT	
Uncurling Guide	29
Thread Controller	30
Auto-Open Hemmer	31
Manual Thread Cutter (T003)	32



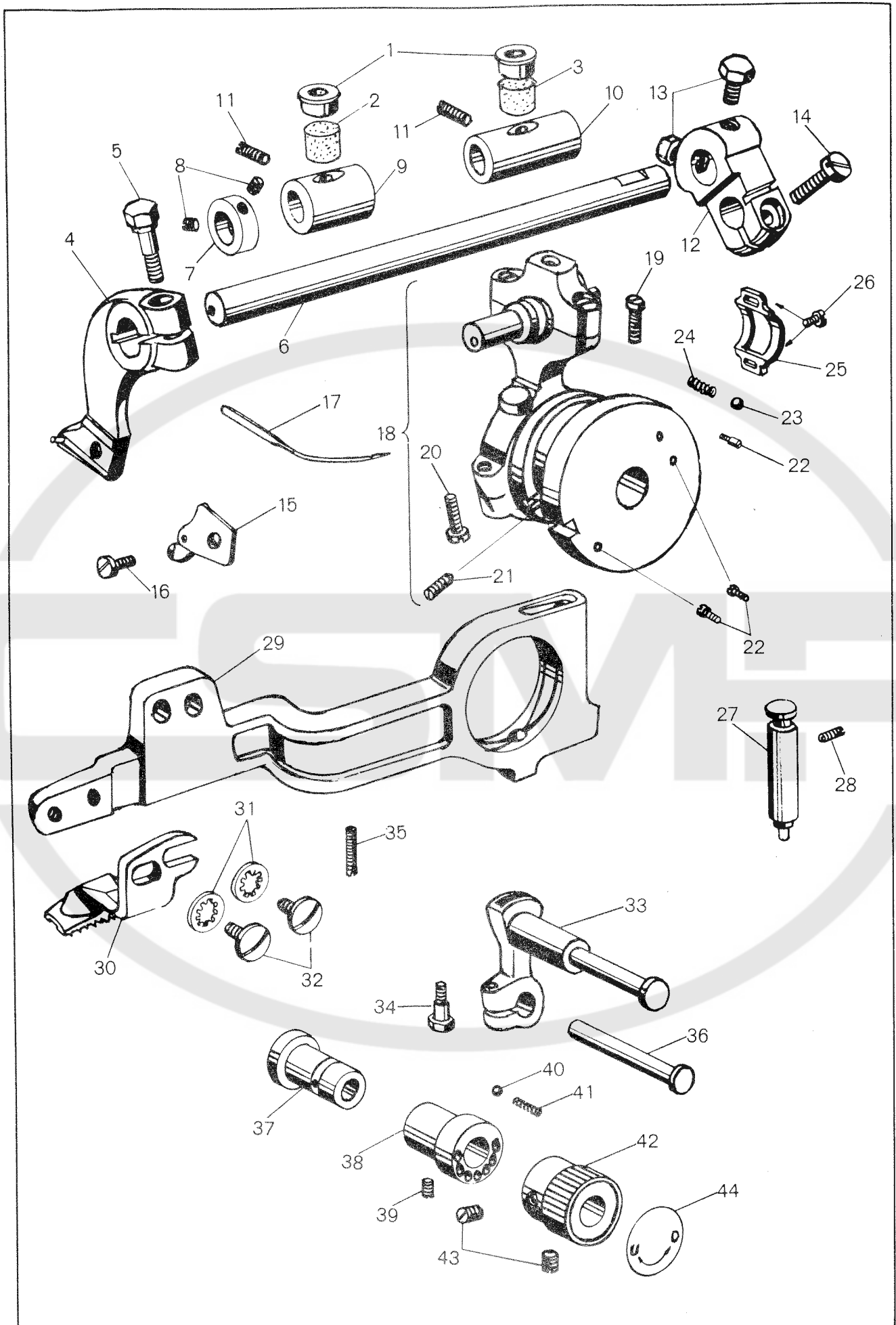
Machine Frame & Covers Components

Ref. No.	Part No.	Description	Amt. Req.
1	B4672-640-000	Arm Side Cover	1
2	B4540-640-000	Arm Side Cover Set Screw	1
3	B4686-640-000	Arm Side Cover Positioning Screw	2
4	B4673-640-000	Arm Side Cover Plate	1
5	SS-7620810-SM	Arm Side Cover Plate Screw	2
6	B4671-640-000-A	Arm Rear Cover Plate	1
7	SS-7090640-SM	Arm Rear Cover Plate Screw	2
8	B4749-640-000-A	Arm Top Cover Plate	1
9	SS-7090640-SM	Arm Top Cover Plate Screw	2
10	TA-1050504-R0	Arm Top Rubber Cap	1
11	B4309-640-000-A	Machine Frame	1
12	B4751-640-000	Arm Small Cover Plate	1
13	SS-7090550-SM	Arm Small Cover Plate Screw	1
14	B4674-640-000-A	End Cover	1
15	SS-7111150-SP	End Cover Set Screw	1
16	B4691-640-000	Machine Base Rubber	1
17	B4690-640-000	Machine Base Oil Felt	1
18	B4750-640-000	Machine Base Oil Pan	1
19	B4675-640-000	Machine Base Felt Pad	1
20	SM-90690530-SP	Machine Base Clamp Screw	1
21	B4692-640-000	Machine Base Rubber Ring	1
22	WP-0841601-SD	Machine Base Washer	1
23	NM-6060012-SD	Machine Base Nut	1



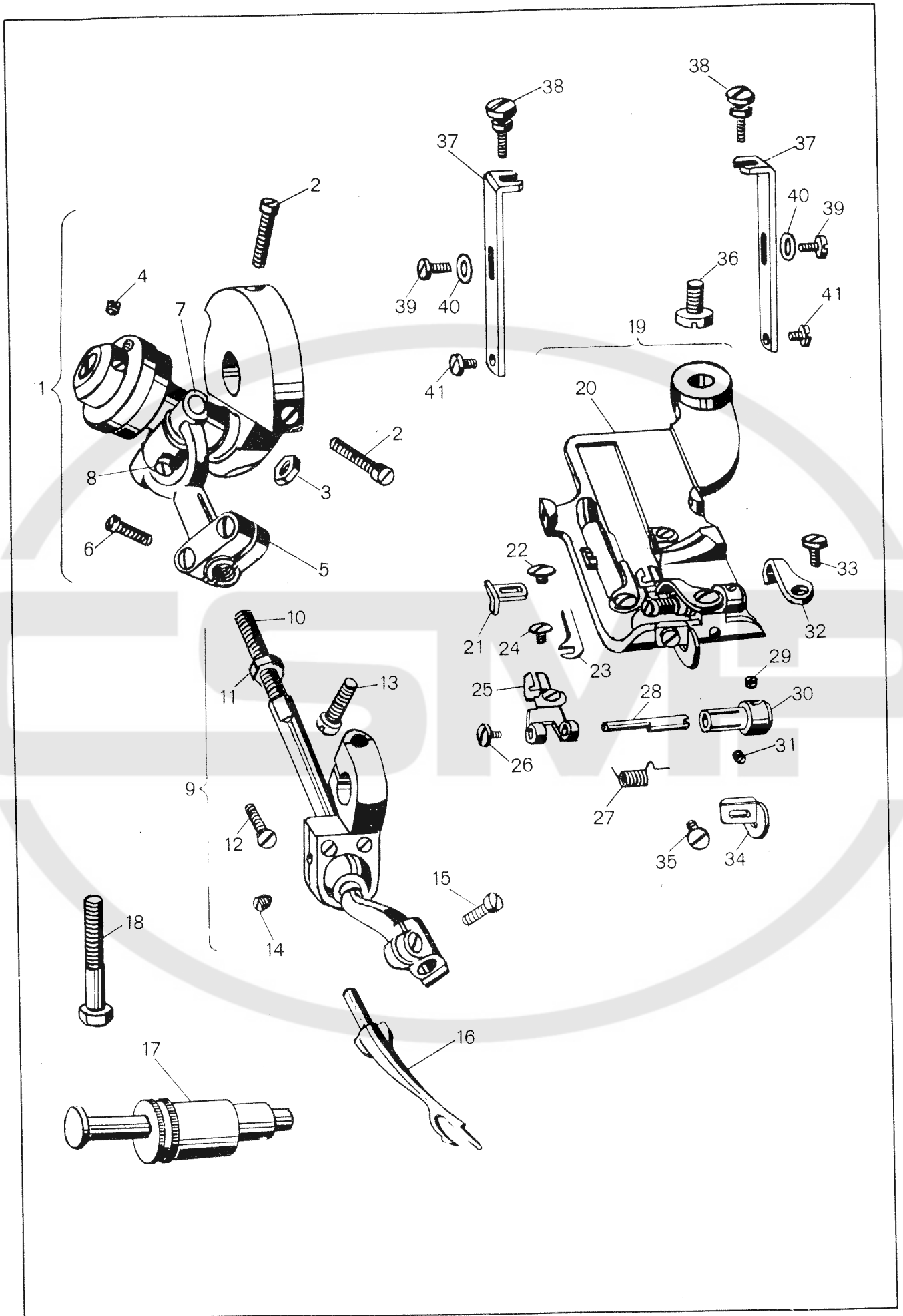
Main Shaft Mechanism Components

Ref. No.	Part No.	Description	Amt. Req.
1	B4631-640-000	Main Shaft Bushing (Front)	1
2	SS-8151410-SP	Main Shaft Bushing Set Screw	2
3	B4682-640-000	Oiling Felt	2
4	B4680-640-000	Oil Cap (Large)	1
5	B4635-640-000	Counterweight	1
6	SS-8140610-SP	Counterweight Set Screw (w/Flat Point)	1
7	SS-8140710-TP	Counterweight Set Screw (w/Sharp Point)	1
8	B4632-640-000	Main Shaft Bushing (Rear)	1
9	B4711-640-000	Main Shaft	1
10	B4702-640-000	Eccentric Bushing	1
11	SS-8140810-TP	Eccentric Bushing Set Screw (w/Sharp Point)	1
12	SS-8140610-SP	Eccentric Bushing Set Screw (w/Flat Point)	1
13	B4712-640-000	Connecting Rod	1
14	B4638-640-000	Connecting Rod Stud	1
15	B4704-640-000	Eccentric Sleeve	1
16	B4707-640-000	Eccentric Sleeve Pin	1
17	B4354-640-000	Main Shaft Gear (Large)	1
18	B4706-640-000	Main Shaft Gear (Small)	1
19	SS-8140310-TP	Main Shaft Gear Set Screw	2
20	B4355-640-000	Idler Gear & Shaft	1
21	B4708-640-000	Idler Gear Shaft Bushing	1
22	SS-8151410-SP	Idler Gear Shaft Bushing Set Screw	1
23	CS-0950711-SH	Idler Gear Shaft Collar	1
24	SS-8110340-SP	Idler Gear Shaft Collar Set Screw	2
25	B4633-640-000-A	Hand Wheel (Pulley)	1
26	SS-8151410-SP	Hand Wheel Set Screw	2
27	B4562-640-000	Hand Wheel Rubber Cap	1



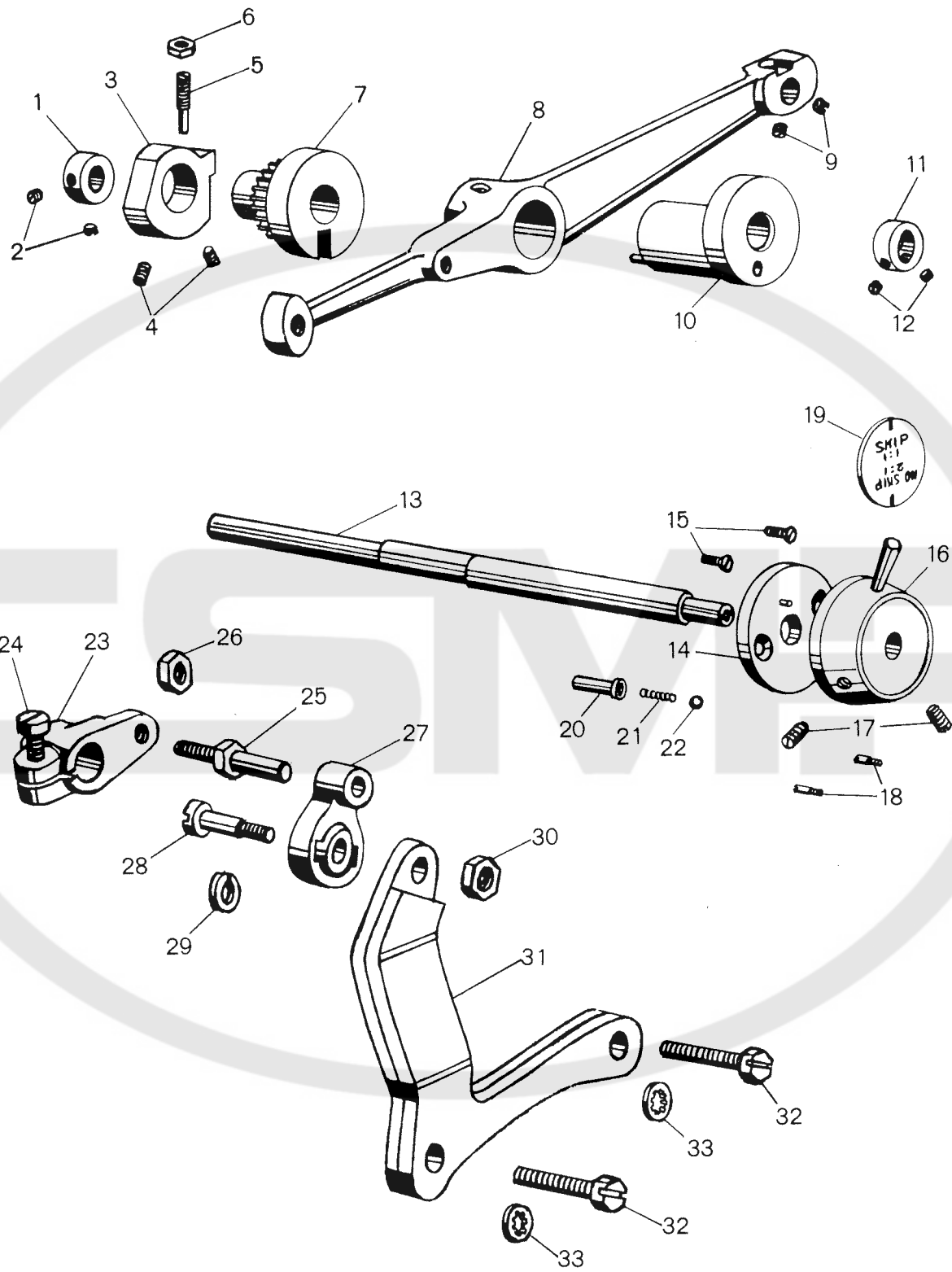
Needle Carrier & Feed Dog Mechanism Components

Ref. No.	Part No.	Description	Amt. Req.
1	B4681-640-000	Arm Top Oil Cap (Small)	2
2	B4684-640-000	Oiling Felt	1
3	B4683-640-000	Oiling Felt	1
4	B4385-640-000	Needle Carrier	1
5	SS-9621710-SP	Needle Carrier Set Screw	1
6	B4383-640-000	Needle Carrier Shaft	1
7	CS-1110621-SP	Needle Carrier Shaft Collar	1
8	SS-8110340-SP	Needle Carrier Shaft Collar Set Screw	2
9	B4641-640-000	Needle Carrier Shaft Bushing (Front)	1
10	B4642-640-000	Needle Carrier Shaft Bushing (Rear)	1
11	SS-8110630-SH	Needle Carrier Shaft Bushing Set Screw	2
12	B4381-640-000	Needle Carrier Shaft Crank	1
13	SS-9660813-SP	Needle Carrier Shaft Crank Set Screw	2
14	SS-7111520-SP	Needle Carrier Shaft Crank Clamp Screw	1
15	B4689-640-000	Needle Clamp Set Screw	1
16	SS-7090820-SM	Needle Clamp Set Screw	1
17	MLW-6T0B1100	Needle (System LW x 6T)	1
18	B4356-640-0A0	Needle Driving Eccentric w/Rod, Regulator & Screws (Ref. Nos. 19-22)	1
19	SS-7110920-SP	Ball Connecting Rod Set Screw (Short)	1
20	SS-7111320-SP	Ball Connecting Rod Set Screw (Long)	1
21	SS-8141210-TH	Needle Driving Eccentric Set Screw	1
22	SS-6060420-SP	Stitch Regulator Screw	3
23	B4375-640-000	Stitch Regulator Ball	1
24	B4377-640-000	Stitch Regulator Spring	1
25	B4379-640-000	Ball Connecting Rod Cap	1
26	SS-7080530-SP	Ball Connecting Rod Cap Set Screw	2
27	B4353-640-000	Stitch Length Regulating Plunger	1
28	SS-8110630-SH	Stitch Length Regulating Plunger Set Screw	1
29	B4827-640-000	Feed Link Clamp Screw	1
30	B4501-640-000	Feed Dog	1
31	WT-0530001-KH	Feed Dog Washer	2
32	SS-7620820-SP	Feed Dog Set Screw	2
33	B3457-640-000	Feed Link & Stud	1
34	SD-0620421-SP	Feed Link Calmp Screw	1
35	SS-8621810-SP	Feed Link Stud Set Screw	1
36	B4830-640-000	Feed Dog Height Adjusting Stud	1
37	B4829-640-000	Feed Dog Height Adjusting Stud Eccentric Sleeve	1
38	B4828-640-000	Feed Dog Height Adjusting Stud Bushing	1
39	SS-8110340-SP	Feed Dog Height Adjusting Stud Bushing Set Screw	1
40	B4375-640-000	Feed Dog Height Adjusting Ball	1
41	B4626-640-000	Feed Dog Height Adjusting Spring	1
42	B4831-640-000	Feed Dog Height Adjusting Knob	1
43	SS-8150420-SP	Feed Dog Height Adjusting Knob Set Screw	2
44	B4832-640-000	Feed Dog Height Adjusting Indicator	1



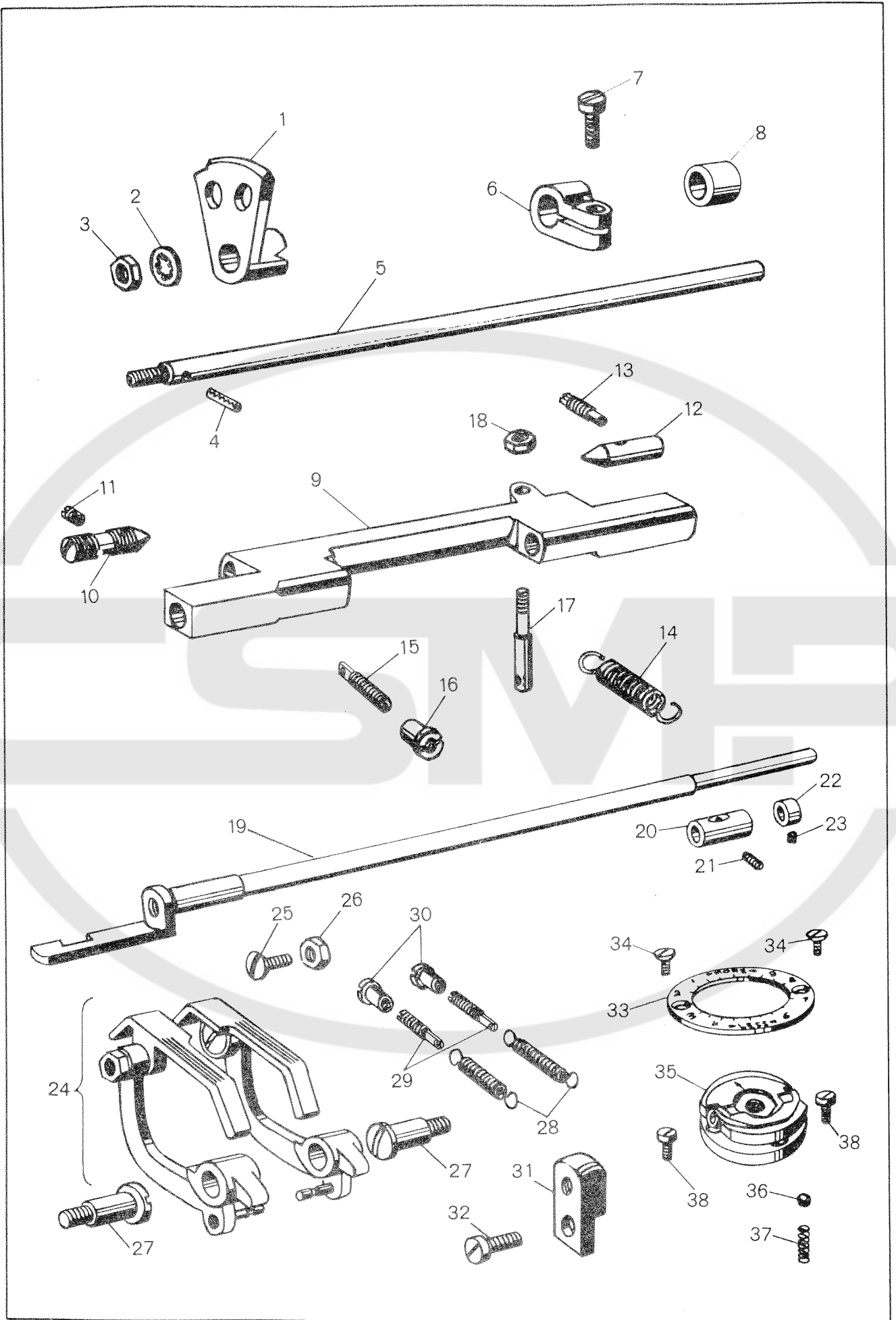
Looper Drive Mechanism & Presser Foot Parts Components

Ref. No.	Part No.	Description	Amt. Req.
1	B4351-640-0A0	Looper Drive Crank Complete w/Looper Yoke & Screws (Ref. Nos. 2-8) . . .	1
2	SS8151710-SP	Looper Drive Crank Set Screw	2
3	NS-6680420-SD	Looper Drive Crank Stud Nut	1
4	SS-8110340-SP	Looper Drive Crank Stud Collar Set Screw	1
5	B4387-640-000	Looper Yoke	1
6	SS-7091010-SP	Looper Yoke Set Screw	1
7	B4389-640-000	Looper Yoke Pin	1
8	SS-7110620-SP	Looper Yoke Pin Set Screw	1
9	B4352-640-0A0	Looper Carrier w/Ball Joint & Screws (Ref. Nos. 10-15)	1
10	B4390-640-000	Looper Carrier	1
11	NS-6640410-SP	Looper Carrier Nut	1
12	SS-7090810-SH	Looper Carrier Ball Joint Set Screw	1
13	SS-7141610-SP	Looper Carrier Ball Joint Clamp Screw	1
14	SS-8100610-TP	Looper Carrier Ball Spot Screw	1
15	SS-7080820-SP	Looper Clamp Screw	1
16	B4815-640-000	Looper	1
17	B4346-640-000	Eccentric Sleeve & Pin	1
18	SS-9152813-SP	Eccentric Sleeve Clamp Screw	1
19	B4314-640-0A0	Presser Foot Complete (Ref. Nos. 20-35)	1
20	B4504-640-000	Plain Presser Foot	1
21	B4514-640-000	Chaining Finger	1
22	SS-7060320-SP	Chaining Finger Set Screw	1
23	B4506-640-000	Needle Guide	1
24	SS-5090210-SP	Needle Guide Set Screw	1
25	B4511-640-000	Cloth Retainer	1
26	SS-7060320-SP	Cloth Retainer Screw	1
27	B4512-640-000	Cloth Retainer Spring	1
28	B4509-640-000	Cloth Retainer Eccentric Stud	1
29	SS-8080420-SP	Cloth Retainer Eccentric Stud Set Screw	1
30	B4508-640-000	Cloth Retainer Eccentric Stud Bushing	1
31	SS-8090310-SP	Cloth Retainer Eccentric Stud Bushing Set Screw	1
32	B4513-640-000	Cloth Retainer Stopper	1
33	SS-7090420-SP	Cloth Retainer Stopper Set Screw	1
34	B4515-640-000	Edge Guide	1
35	SS-7060320-SP	Edge Guide Set Screw	1
36	SD-0610151-SP	Presser Foot Set Screw	1
37	B4517-640-000	Presser Foot Bracket	2
38	B4518-640-000	Presser Foot Bracket Adjusting Screw	2
39	SS-7091220-SM	Presser Foot Bracket Holding Screw	2
40	WP-0450836-SD	Presser Foot Bracket Washer	2
41	SS-7080620-SP	Presser Foot Holding Screw	2



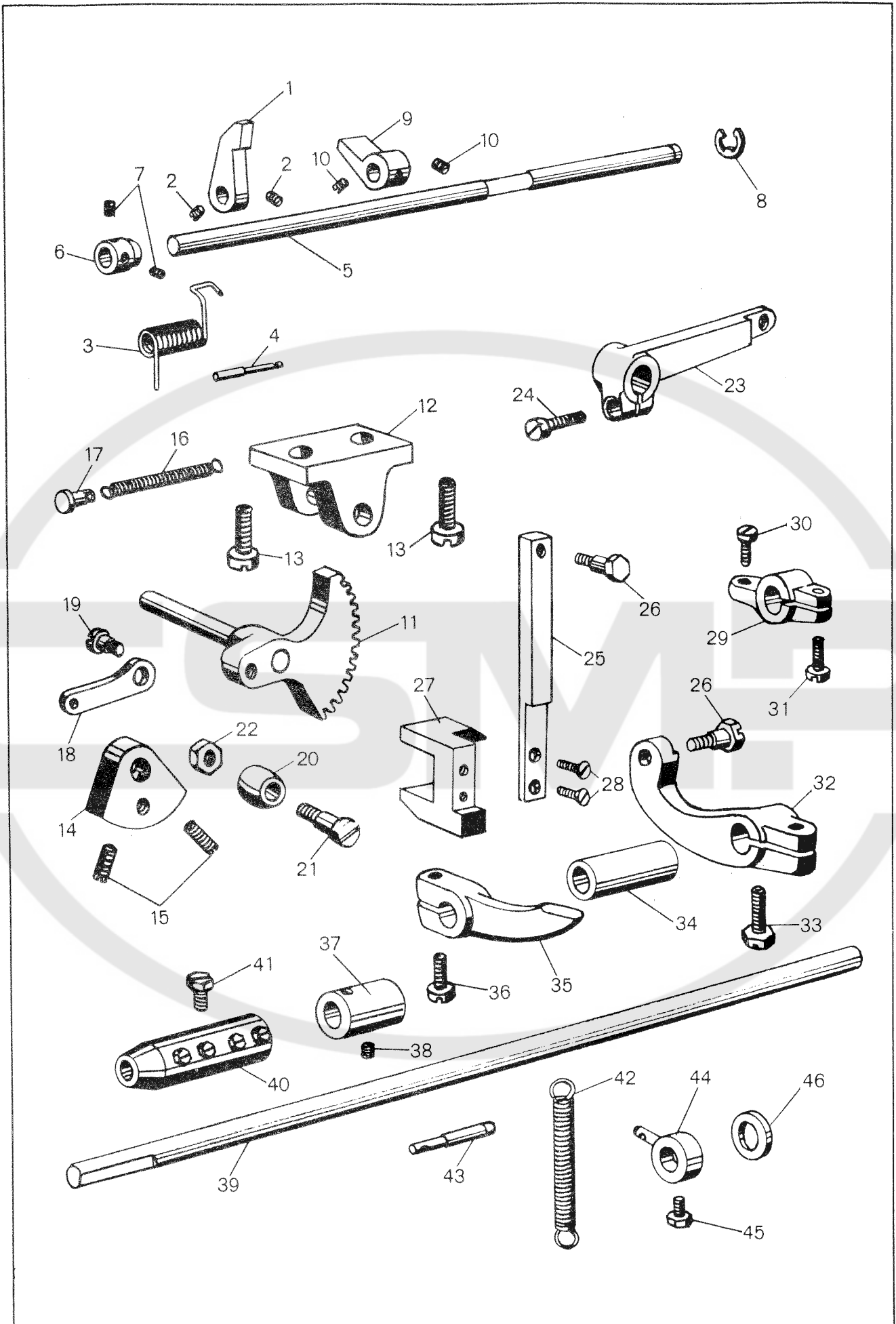
Disc Oscillating Mechanism Components

Ref. No.	Part No.	Description	Amt. Req.
1	CS-1000911-SH	Disc Oscillating Shaft Collar (Small)	1
2	SS-8150420-SP	Disc Oscillating Shaft Collar Set Screw	2
3	B4716-640-000	Disc Locking Latch Block	1
4	SS-8150810-SP	Disc Locking Latch Block Set Screw	2
5	B4734-640-000	Disc Locking Latch Block Stop Screw	1
6	NS-6150340-SD	Disc Locking Latch Block Nut	1
7	B4358-640-000	Disc Oscillating Gear (Small)	1
8	B4713-640-000	Disc Oscillating Rod	2
9	SS-8150810-SP	Disc Oscillating Rod Stud Set Screw	2
10	B4714-640-000	Disc Oscillating Eccentric Sleeve	1
11	CS-1200911-SH	Disc Oscillating Shaft Collar (Large)	1
12	SS-8150420-SP	Disc Oscillating Shaft Collar Set Screw	2
13	B4715-640-000	Disc Oscillating Shaft	1
14	B4719-640-000	Skip-Stitch Selecting Plate	1
15	SS-1110910-SP	Skip-Stitch Selecting Plate Set Screw	2
16	B4720-640-000	Skip-Stitch Selecting Knob	1
17	SS-8150810-SP	Skip-Stitch Selecting Knob Set Screw	2
18	SS-6060420-SP	Skip-Stitch Selecting Knob Stop Screw	2
19	B4721-640-000	Skip-Stitch Selecting Indicator	1
20	B4722-640-000	Skip-Stitch Selecting Spring Holder	1
21	B4376-640-000	Skip-Stitch Selecting Spring	1
22	B4375-640-000	Skip-Stitch Selecting Ball	1
23	B4727-640-000	Disc Oscillating Crank	1
24	SS-7111160-SP	Disc Oscillating Crank Set Screw	1
25	B4726-640-000	Disc Oscillating Crank Connecting Pin	1
26	NS-6110330-SD	Disc Oscillating Crank Connecting Pin Nut	1
27	B4724-640-000	Disc Oscillating Ball Joint	1
28	SD-0500652-SH	Disc Oscillating Ball Joint Stud	1
29	WS-0510002-KH	Disc Oscillating Ball Joint Stud Washer	1
30	NS-6110330-SD	Disc Oscillating Ball Joint Stud Nut	1
31	B4723-640-000	Disc Oscillating Lever	1
32	SS-9151530-SP	Disc Oscillating Lever Clamp Screw	2
33	WT-0640001-KH	Disc Oscillating Lever Washer	2



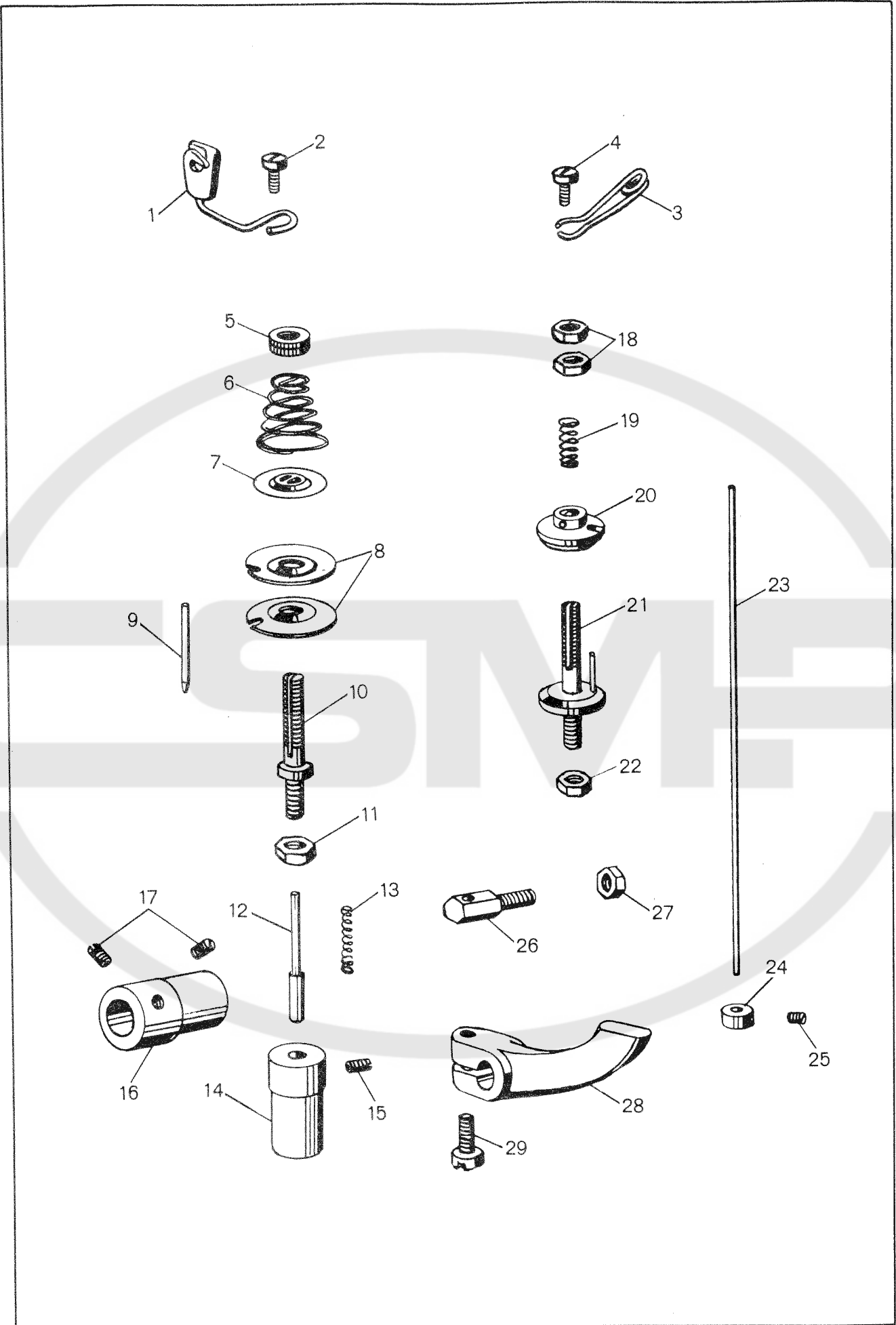
Ridge Forming Disc & Feed Plate Mechanism Components

Ref. No.	Part No.	Description	Amt. Req.
1	B4710-640-000	Ridge Forming Disc	1
2	WT-0640001-KH	Ridge Forming Disc Washer	1
3	B4563-640-000	Ridge Forming Disc Nut	1
4	PS-0300122-MZ	Ridge Forming Disc Positioning Pin	1
5	B4535-640-000	Ridge Forming Disc Shaft	1
6	B4621-640-000	Ridge Forming Disc Shaft Collar	1
7	SS-7111160-SP	Ridge Forming Disc Shaft Collar Set Screw	1
8	B4643-640-000	Ridge Forming Disc Shaft Sleeve	1
9	B4531-640-000	Disc Adjusting Holder	1
10	B4644-640-000	Disc Adjusting Holder Pivot Bearing Screw	1
11	SS-8150810-SP	Disc Adjusting Holder Pivot Bearing Screw Set Screw	1
12	B4645-640-000	Disc Adjusting Holder Pivot Bearing Pin	1
13	B4646-640-000	Disc Adjusting Holder Pivot Bearing Pin Set Screw	1
14	B4532-640-000	Disc Adjusting Holder Spring	1
15	B4533-640-000	Disc Adjusting Holder Spring Screw	1
16	B4534-640-000	Disc Adjusting Holder Spring Nut	1
17	B4647-640-000	Disc Adjusting Holder Spring Stud	1
18	NS-6090320-SD	Disc Adjusting Holder Spring Stud Nut	1
19	B4662-640-000	Feed Plate Shaft	1
20	B4639-640-000	Feed Plate Shaft Bushing	1
21	SS-8150810-SP	Feed Plate Shaft Bushing Set Screw	1
22	CS-0790711-SD	Feed Plate Shaft Collar	1
23	SS-8110340-SP	Feed Plate Shaft Collar Set Screw	1
24	B4348-640-000	Feed Plate Complete (Left & Right)	1
25	SS-2111510-SP	Feed Plate Taper Bearing Screw	1
26	NS-6110340-SD	Feed Plate Nut	1
27	SD-0791272-SP	Feed Plate Shoulder Bearing Screw	2
28	B4526-640-000	Feed Plate Spring	2
29	B4527-640-000	Feed Plate Spring Screw	2
30	B4528-640-000	Feed Plate Spring Adjusting Nut	2
31	B4664-640-000	Feed Plate Bracket	1
32	SS-6110910-SP	Feed Plate Bracket Set Screw	1
33	B4654-640-000	Disc Adjusting Dial	1
34	SS-1080710-SM	Disc Adjusting Dial Set Screw	2
35	B4350-640-000	Disc Adjusting Regulator Complete	1
36	B4375-640-000	Disc Adjusting Regulator Ball	1
37	B4376-640-000	Disc Adjusting Regulator Spring	1
38	SS-6080630-SH	Disc Adjusting Regulator Base Set Screw	2



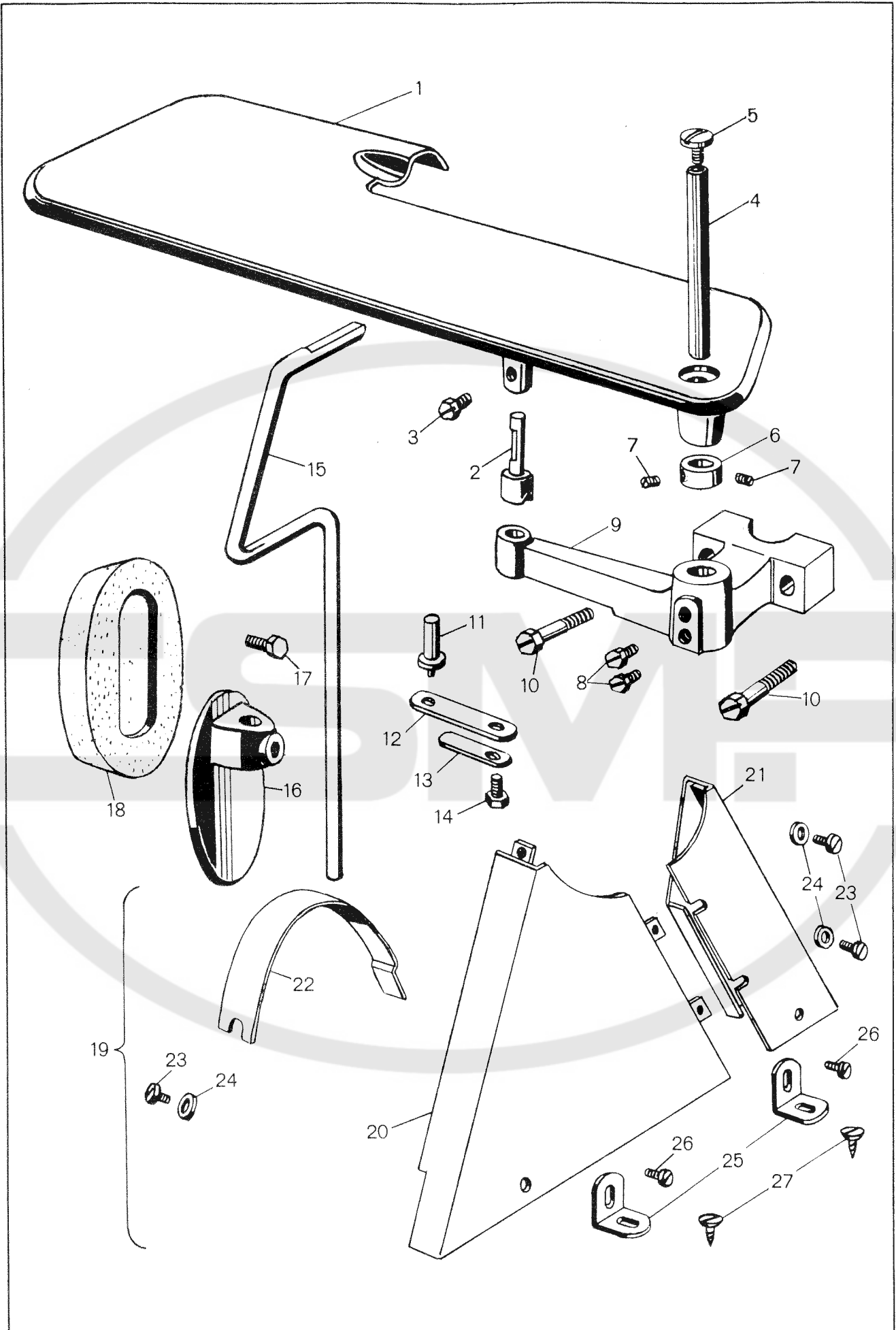
Disc Locking Mechanism & Knee Press Shaft Parts Components

Ref. No.	Part No.	Description	Amt. Req.
1	B4732-640-000	Disc Locking Latch	1
2	SS-8110340-SP	Disc Locking Latch Set Screw	2
3	B4733-640-000	Disc Locking Latch Spring	1
4	B4665-640-000	Disc Locking Latch Spring Pin	1
5	B4728-640-000	Disc Locking Latch Shaft	1
6	B4730-640-000	Disc Locking Latch Shaft Collar	1
7	SS-8110340-SP	Disc Locking Latch Shaft Collar Set Screw	2
8	RE-0500000-KO	Disc Locking Latch Shaft Ring	1
9	B4731-640-000	Disc Locking Latch Releasing Lever	1
10	SS-8110340-SP	Disc Locking Latch Releasing Lever Set Screw	2
11	B4359-640-000	Disc Oscillating Gear (Large)	1
12	B4739-640-000	Disc Oscillating Gear Bracket	1
13	SS-7151220-SP	Disc Oscillating Gear Bracket Set Screw	2
14	B4740-640-000	Disc Oscillating Gear Shaft Collar	1
15	SS-8141010-TP	Disc Oscillating Gear Shaft Collar Set Screw	2
16	B4741-640-000	Disc Oscillating Gear Shaft Collar Spring	1
17	B4742-640-000	Disc Oscillating Gear Shaft Collar Spring Pin	1
18	B4650-640-000	Disc Oscillating Gear Shaft Collar Link	1
19	SD-0640281-SP	Disc Oscillating Gear Shaft Collar Lin Bearing Screw	1
20	B4648-640-000	Disc Oscillating Roller	1
21	SD-0550651-SP	Disc Oscillating Roller Shoulder Bearing Screw	1
22	NS-6110340-SD	Disc Oscillating Roller Nut	1
23	B4661-640-000	Feed Plate Depressing Crank	1
24	SS-7141010-TP	Feed Plate Depressing Crank Set Screw	1
25	B4738-640-000	Feed Plate Depressing Crank Connecting Plate	1
26	SD-0640483-SP	Feed Plate Depressing Crank Connecting Plate Shoulder Screw	1
27	B4737-640-000	Roller Engaging Block	1
28	SS-1090940-SP	Roller Engaging Block Set Screw	2
29	B4735-640-000	Disc Locking Latch Releasing Crank	1
30	SS-7111160-SP	Disc Locking Latch Releasing Crank Stop Screw	1
31	SS-7111210-SP	Disc Locking Latch Releasing Crank Set Screw	1
32	B4736-640-000	Knee Press Shaft Crank	1
33	SS-9151720-SP	Knee Press Shaft Crank Set Screw	1
34	B4657-640-000	Knee Press Shaft Sleeve	1
35	B4659-640-000	Knee Press Shaft Stop Lever	1
36	SS-7141010-TP	Knee Press Shaft Stop Lever Set Screw	1
37	B4656-640-000	Knee Press Shaft Bushing	1
38	SS-8110630-SH	Knee Press Shaft Bushing Set Screw	1
39	B4655-640-000	Knee Press Shaft	1
40	B4541-640-000	Knee Press Rod Sleeve	1
41	SS-9151010-SP	Knee Press Rod Sleeve Set Screw	1
42	B4652-640-000	Knee Press Shaft Spring	1
43	B4653-640-000	Knee Press Shaft Spring Pin	1
44	B4658-640-000	Knee Press Shaft Spring Collar	1
45	SS-9110613-SP	Knee Press Shaft Spring Collar Set Screw	1
46	B4743-640-000	Knee Press Shaft Washer	1



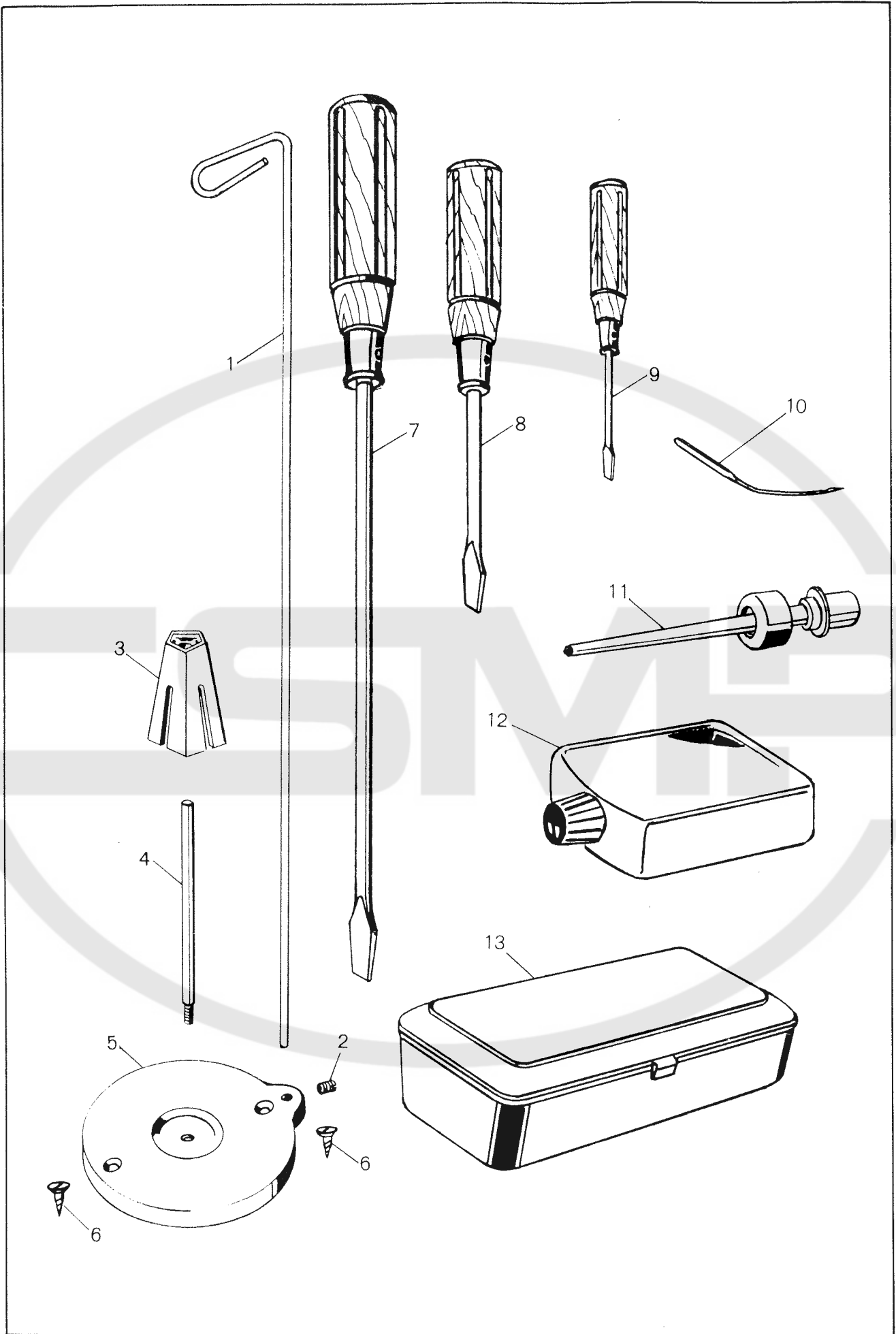
Thread Tension & Nipper Parts Components

Ref. No.	Part No.	Description	Amt. Req.
1	B4688-640-000	Thread Guide with Ceramic	1
2	SS-6110910-SP	Thread Guide Set Screw	1
3	B4561-640-000	Thread Guide	1
4	SS-6110910-SP	Thread Guide Set Screw	1
5	B4328-640-000	Thread Tension Nut	1
6	B4327-640-000	Thread Tension Spring	1
7	B4326-640-000	Thread Tension Washer	1
8	B4600-640-000	Thread Tension Disc	2
9	B4760-640-000	Thread Tension Disc Pin	1
10	B4564-640-000	Thread Tension Staff	1
11	NS-6150340-SD	Thread Tension Staff Nut	1
12	B4748-640-000	Thread Tension Releasing Pin	1
13	B4752-640-000	Thread Tension Releasing Pin Spring	1
14	B4747-640-000	Thread Tension Releasing Pin Bushing	1
15	SS-8150810-SP	Thread Tension Releasing Pin Bushing Set Screw	1
16	B4745-640-000	Thread Tension Releasing Eccentric	1
17	SS-8150420-SP	Thread Tension Releasing Eccentric Set Screw	2
18	NS-6150340-SD	Thread Nipper Nut	2
19	B4560-640-000	Thread Nipper Spring	1
20	B4755-640-000	Thread Nipper Disc	1
21	B4754-640-000	Thread Nipper Staff	1
22	NS-6150340-SD	Thread Nipper Staff Nut	1
23	B4699-640-000	Thread Nipper Releasing Pin	1
24	CS-0310611-SD	Thread Nipper Releasing Pin Collar	1
25	SS-8090310-SP	Thread Nipper Releasing Pin Collar Set Screw	1
26	B4744-640-000	Thread Nipper Releasing Pin Prop	1
27	NS-6150-340-SD	Thread Nipper Releasing Pin Prop Nut	1
28	B4659-640-000	Thread Nipper Releasing Pin Lever	1
29	SS-7141010-TP	Thread Nipper Releasing Pin Lever Set Screw	1



Work Plate, Knee Press & Belt Cover Parts Components

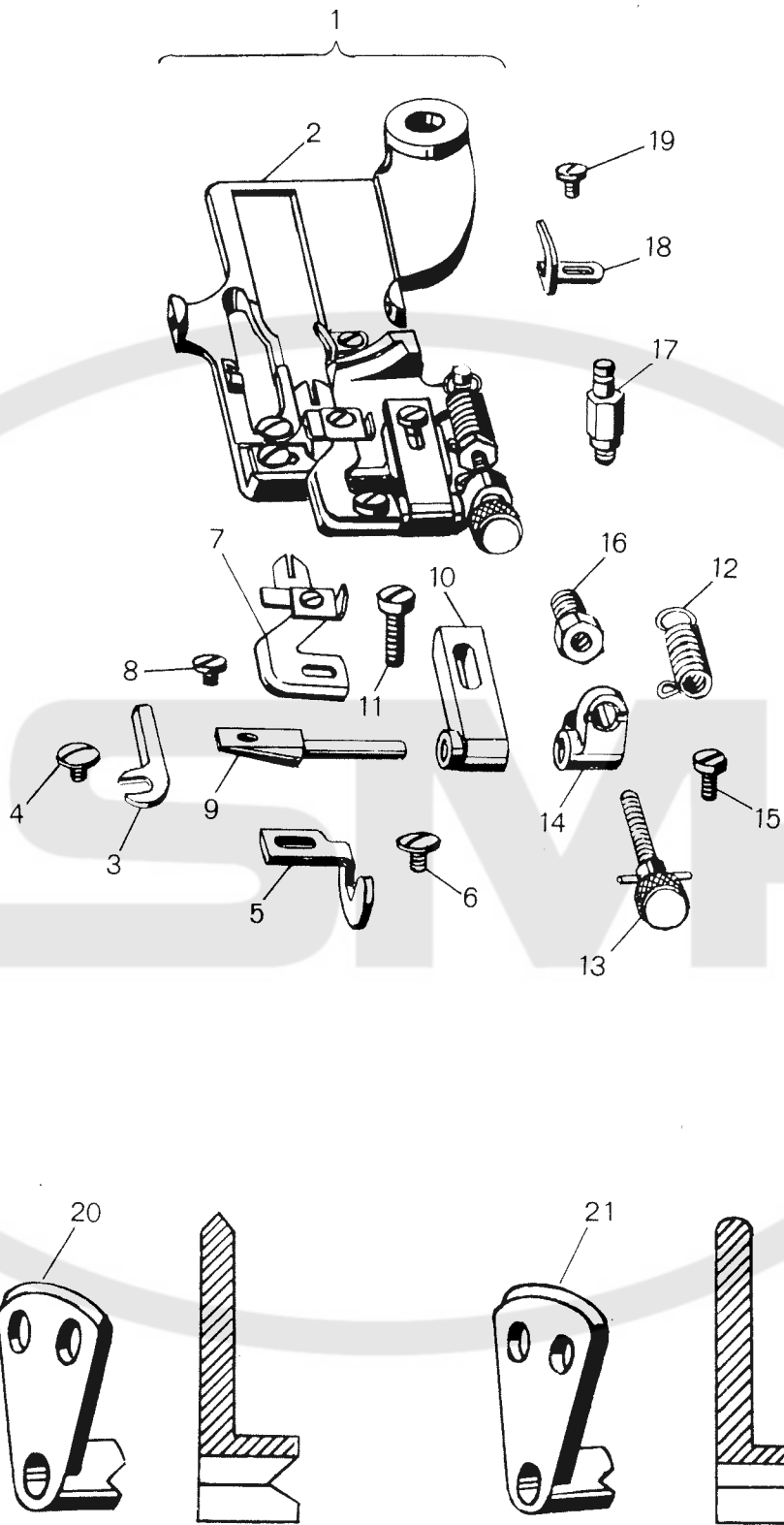
Ref. No.	Part No.	Description	Amt. Req.
1	B4666-640-000-A	Work Plate	1
2	B4670-640-000	Work Plate Latch	1
3	SS-9151110-SP	Work Plate Latch Set Screw	1
4	B4687-640-000	Work Plate Shaft	1
5	B4330-640-000	Work Plate Shaft Screwed Cap	1
6	CS-1270811-SH	Work Plate Shaft Collar	1
7	SS-8140610-SP	Work Plate Shaft Collar Set Screw	2
8	SS-9151110-SP	Work Plate Shaft Set Screw	2
9	B4667-640-000-A	Work Plate Bracket	1
10	SS-9152510-SP	Work Plate Bracket Set Screw	2
11	B4549-640-000	Work Plate Bracket Spring Pin	1
12	B4668-640-000	Work Plate Bracket Leaf Spring (Long)	1
13	B4669-640-000	Work Plate Bracket Leaf Spring (Short)	1
14	SS-9151110-SP	Work Plate Bracket Leaf Spring Set Screw	1
15	B4544-640-000	Knee Press Rod	1
16	B4545-640-000	Knee Press Plate	1
17	SS-9151010-SP	Knee Press Plate Set Screw	1
18	B4566-640-000	Knee Press Pad	1
*19	B4360-640-0A0-A	Belt Cover Complete (Ref. Nos. 20-27)	1
*20	B4756-640-000 -A	Belt Cover (Left)	1
*21	B4757-640-000 -A	Belt Cover (Right)	1
*22	B4758-640-000 -A	Belt Cover (Top)	1
*23	SS-7090640-SM	Belt Cover Set Screw	3
*24	WP-0450836-SD	Belt Cover Washer	3
*25	B4759-640-000 -A	Belt Cover Bracket	2
*26	SS-7090640-SM	Belt Cover Bracket Set Screw	2
*27	SK-3452500-SH	Belt Cover Wood Screw	2



Standard Accessories

Ref. No.	Part No.	Description	Amt. Req.
1	B4548-640-000	Thread Guide	1
2	SS-8110630-SH	Thread Guide Set Screw	1
3	B4308-640-000-A	Plastic Cap	1
4	B4547-640-000	Spool Pin	1
5	B4546-640-000-A	Cotton Stand Base	1
6	SK-1452500-SZ	Cotton Stand Base Wood Screw	2
7	B4301-640-000	Screw Driver (large)	1
8	B4302-640-000	Screw Driver (Medium)	1
9	B4303-640-000	Screw Driver (Small)	1
10	MLW-6T0B1100	Needle (System LW x 6T)	1
11	B4304-640-000	Oiler	1
12	B4305-640-000	Oil	1
13	B4306-640-000	Accessory Box	1



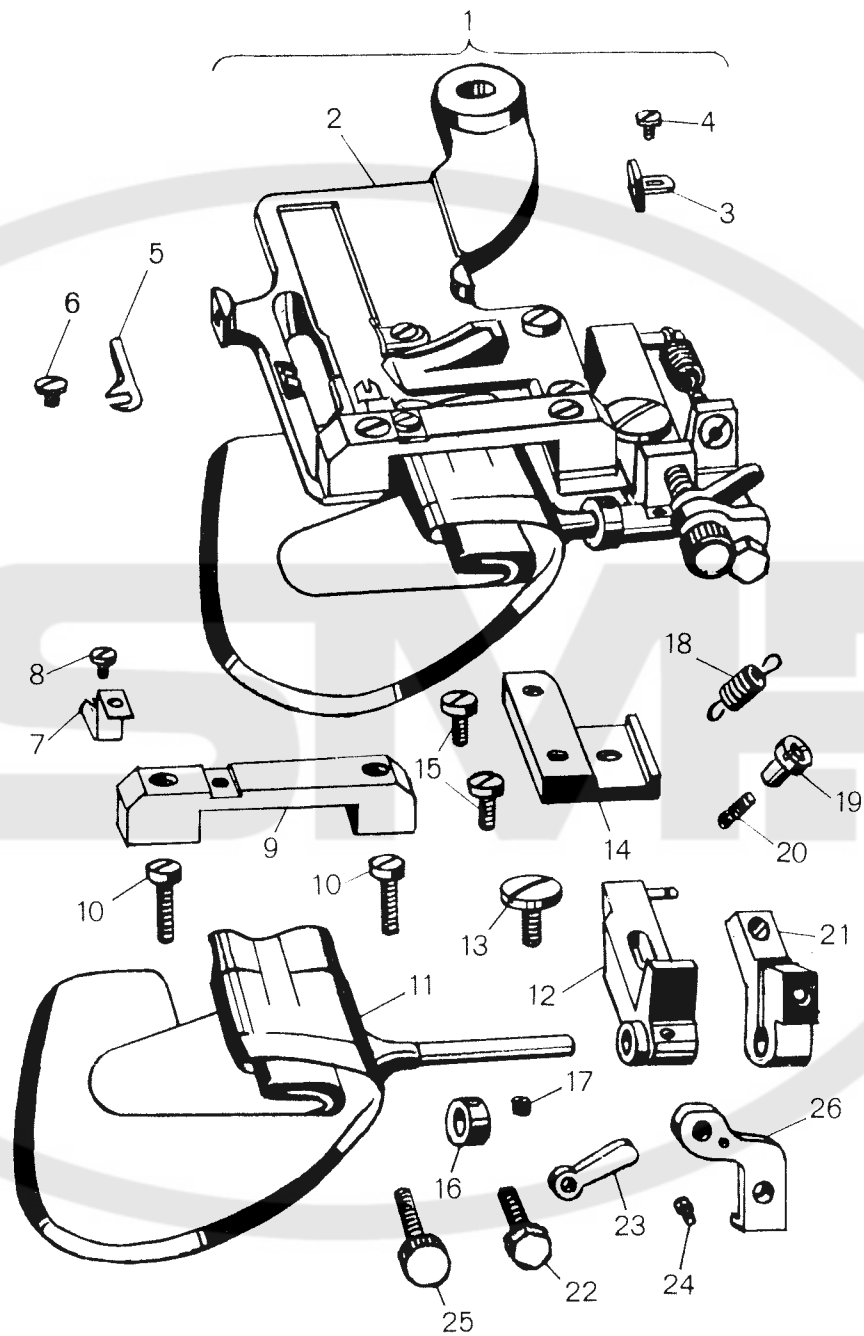


Additional Parts for Model CB-641

Ref. No.	Part No.	Description	Amt. Req.
1	B4315-640-0A0	Universal Presser Foot Complete (Ref. Nos. 2-19)	1
2	B4569-640-000	Plain Universal Presser Foot	1
3	B4506-640-000	Needle Guide	1
4	SS-5090210-SP	Needle Guide Set Screw	1
5	B4572-640-000	Edge Guide	1
6	SS-7090420-SP	Edge Guide Set Screw	1
7	B4571-640-000	Cloth Retainer	1
8	SS-6090550-SP	Cloth Retainer Set Screw	1
9	B4622-640-000	Cloth Retainer Holder	1
10	B4623-640-000	Cloth Retainer Bracket	1
11	SS-7090820-SM	Cloth Retainer Bracket Set Screw	1
12	B4576-640-000	Cloth Retainer Spring	1
13	B4625-640-000	Cloth Retainer Spring Adjusting Screw	1
14	B4624-640-000	Cloth Retainer Spring Adjusting Screw Prop	1
15	SS-7090720-SM	Cloth Retainer Spring Adjusting Screw Prop Set Screw	1
16	B4575-640-000	Cloth Retainer Spring Bushing	1
17	B4840-640-000	Cloth Retainer Spring Pin	1
18	B4514-640-000	Chaining Finger	1
19	SS-7060320-SP	Chaining Finger Set Screw	1
20	B4710-640-000	Ridge Forming Disc (Sharp Point)	
*21	B4841-640-000	" (Round Point) Thickness : 2 mm	
*21	B4842-640-000	" () " 2.5 mm	
*21	B4843-640-000	" () " 3 mm	

Ridge Forming Disc No. B4710-640-000 (Sharp Point) is standard type for Model CB-641

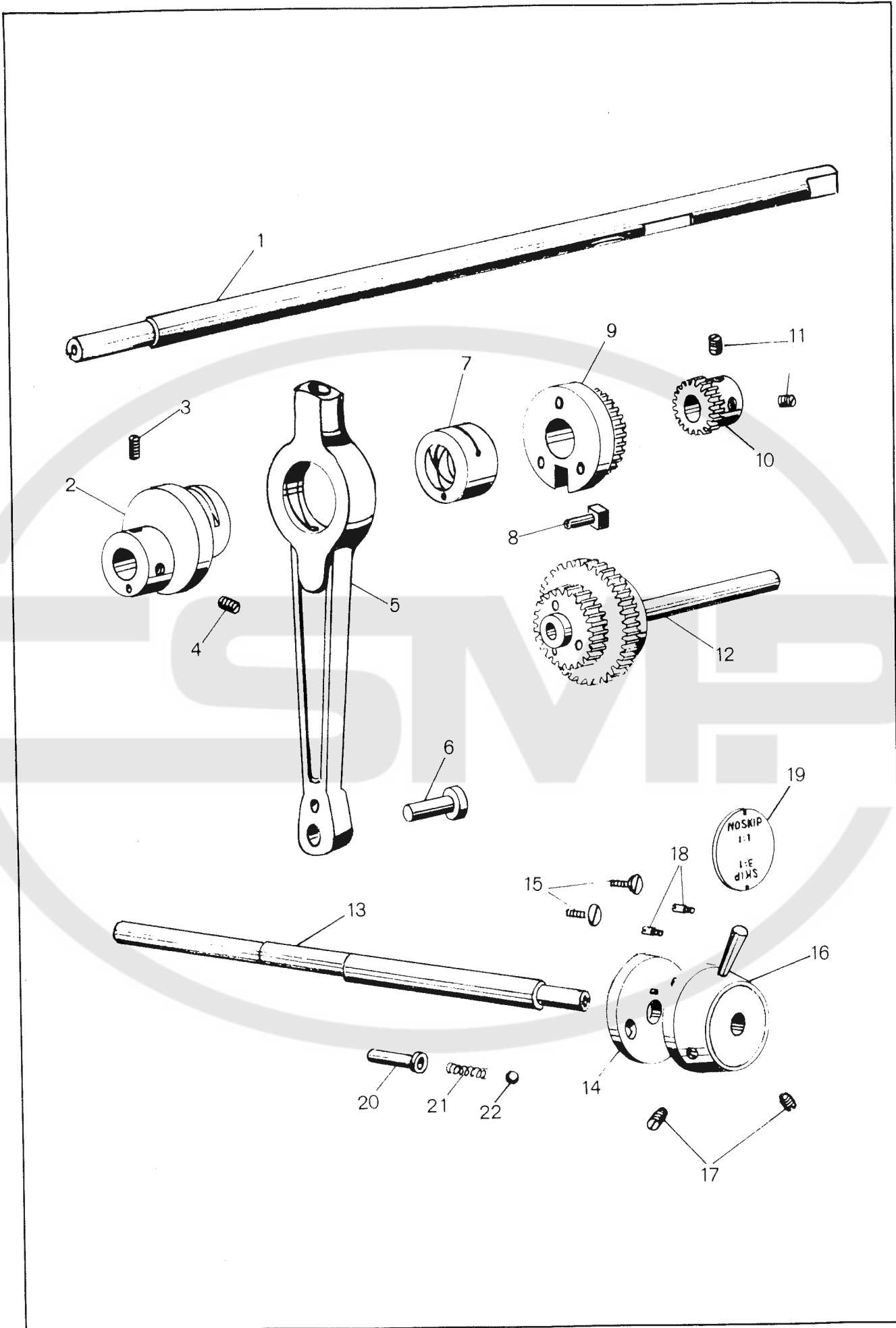
*Round Point types are available on request.



Additional Parts for Model CB-643

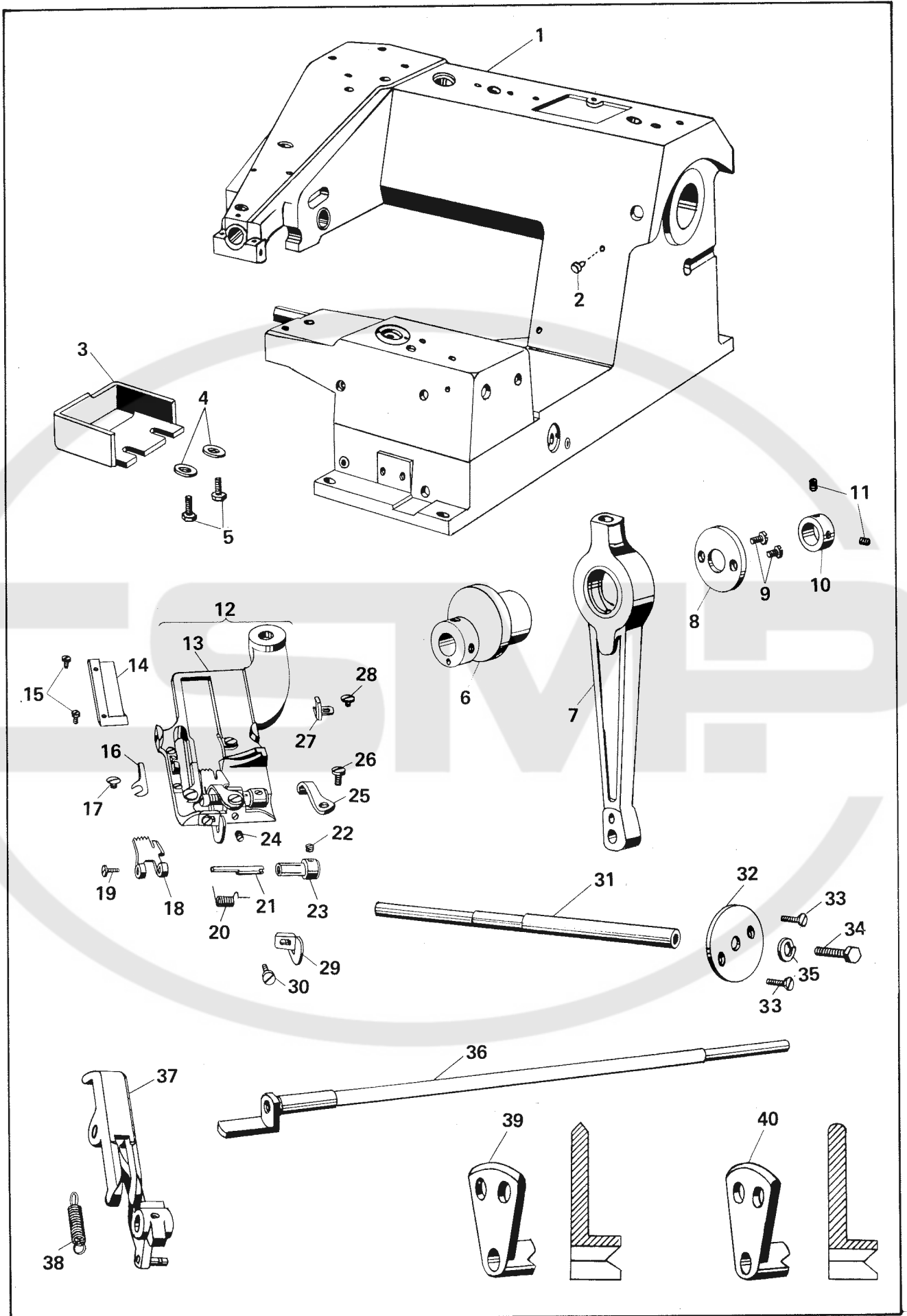
Ref. No.	Part No.	Description	Amt. Req.
*1	B4323-640-OA0	Presser Foot Complete (Ref. Nos. 2-26)	1
2	B4781-640-000	Plain Presser Foot	1
3	B4514-640-000	Chaining Finger	1
4	SS-7060320-SP	Chaining Finger Set Screw	1
5	B4506-640-000	Needle Guide	1
6	SS-5090210-SP	Needle Guide Set Screw	1
7	B4785-640-000	Cloth Retainer	1
8	SS-6090310-SP	Cloth Retainer Set Screw	1
9	B4782-640-000	Presser Foot Bridge	1
10	SS-6091010-SH	Presser Foot Bridge Set Screw	2
*11	B4784-640-000	Cloth Guide Folder (20m/m & 25 m/m)	1
12	B4579-640-000	Folder Bracket	1
13	SS-7620820-SP	Folder Bracket Set Screw	1
14	B4783-640-000	Folder Bracket Base	1
15	SS-7090720-SM	Folder Bracket Base Set Screw	2
16	CS-0500611-SD	Folder Collar	1
17	SS-8090310-SP	Folder Collar Set Screw	1
18	B4595-640-000	Folder Spring	1
19	B4528-640-000	Folder Spring Nut	1
20	B4527-640-000	Folder Spring Screw	1
21	B4580-640-000	Folder Spring Bracket	1
22	SS-9621313-SP	Folder Spring Bracket Clamp Screw	1
23	B4583-640-000	Folder Adjusting Lever	1
24	SS-6060420-SP	Folder Adjusting Lever Stop Screw	1
25	B4582-640-000	Folder Adjusting Screw	1
26	B4581-640-000	Folder Adjusting Screw Base	1

***WHEN ORDERING, INDICATE FOLDER SIZE.**



Additional Parts for Models CB-644 & 645

Ref. No.	Part No.	Description	Amt. Req.
1	B4711-640-000	Main Shaft	1
2	B4702-640-000	Eccentric Bushing	1
3	SS-8140810-TP	Eccentric Bushing Set Screw (w/Sharp Point)	1
4	SS-8140610-SP	Eccentric Bushing Set Screw (w/Flat Point)	1
5	B4712-640-000	Connecting Rod	1
6	B4638-640-000	Connecting Rod Stud	1
7	B4704-640-000	Eccentric Sleeve	1
8	B4707-640-000	Eccentric Sleeve Pin	1
9	B4362-640-000	Main Shaft Gear (Large)	1
10	B4706-640-000	Main Shaft Gear (Small)	1
11	SS-8140310-TP	Main Shaft Gear Set Screw	2
12	B4363-640-000	Idler Gear	1
13	B4715-640-000	Disc Oscillating Shaft	1
14	B4719-640-000	Skip-Stitch Selecting Plate	1
15	SS-1110910-SP	Skip-Stitch Selecting Plate Set Screw	2
16	B4720-640-000	Skip-Stitch Selecting Knob	1
17	SS-8150810-SP	Skip-Stitch Selecting Knob Set Screw	2
18	SS-6060420-SP	Skip-Stitch Selecting Knob Stop Screw	2
19	B4777-640-000	Skip-Stitch Selecting Indicator	1
20	B4722-640-000	Skip-Stitch Selecting Spring Holder	1
21	B4376-640-000	Skip-Stitch Selecting Spring	1
22	B4375-640-000	Skip-Stitch Selecting Ball	1



Additional Parts for Model CB-638

Ref. No.	Part No.	Description	Amt. Req.
1	B4312-640-0A0-A	Machine Frame	1
2	B4701-640-000	Rubber Cap	1
3	B4538-640-000-A	End Cover	1
4	B4598-640-000	End Cover Washer	2
5	SS-9111313-SP	End Cover Set Screw	2
6	B4636-640-000	Eccentric Bushing	1
7	B4762-640-000	Connecting Rod	1
8	B4637-640-000	Eccentric Bushing Plate	1
9	SS-7080820-SP	Eccentric Bushing Plate Set Screw	2
10	CS-1270811-SH	Main Shaft Collar	1
11	SS-8140610-SP	Main Shaft Collar Set Screw	2
12	B4319-640-0A0	Presser Foot Complete (Ref. Nos. 13-30)	1
13	B4503-640-000	Plain Presser Foot	1
14	B4516-640-000	Roll Forming Plate	1
15	SS-6060430-SM	Roll Forming Plate Set Screw	2
16	B4506-640-000	Needle Guide	1
17	SS-5090210-SP	Needle Guide Set Screw	1
18	B4510-640-000	Cloth Retainer	1
19	SS-7060320-SP	Chaining Finger Set Screw	1
20	B4512-640-000	Cloth Retainer Spring	1
21	B4509-640-000	Cloth Retainer Eccentric Stud	1
22	SS-8080420-SP	Cloth Retainer Eccentric Stud Set Screw	1
23	B4508-640-000	Cloth Retainer Eccentric Stud Bushing	1
24	SS-8090310-SP	Cloth Retainer Eccentric Stud Bushing Set Screw	1
25	B4513-640-000	Cloth Retainer Stopper	1
26	SS-7090420-SP	Cloth Retainer Stopper Set Screw	1
27	B4514-640-000	Chaining Finger	1
28	SS-7060320-SP	Chaining Finger Set Screw	1
29	B4515-640-000	Edge Guide	1
30	SS-7060320-SP	Edge Guide Set Screw	1
31	B4763-640-000	Disc Oscillating Shaft	1
32	B4764-640-000	Disc Oscillating Shaft Plate	1
33	SS-1110910-SP	Disc Oscillating Shaft Plate Set Screw	2
34	SS-9151313-SP	Disc Oscillating Shaft Clamp Screw	1
35	WS-0610002-KP	Disc Oscillating Shaft Spring Washer	1
36	B4663-640-000	Feed Plate Shaft	1
37	B4347-640-0A0	Feed Plate Complete	1
38	B4525-640-000	Feed Plate Spring	1
39	B4536-640-000	Ridge Forming Disc (Sharp Point)	
*40	B4778-640-000	Ridge Forming Disc (Sharp Point) Thicknes; 2 mm	
*40	B4779-640-000	Ridge Forming Disc (Sharp Point) Thicknes; 2.5 mm	
*40	B4780-640-000	Ridge Forming Disc (Sharp Point) Thicknes; 3 mm	

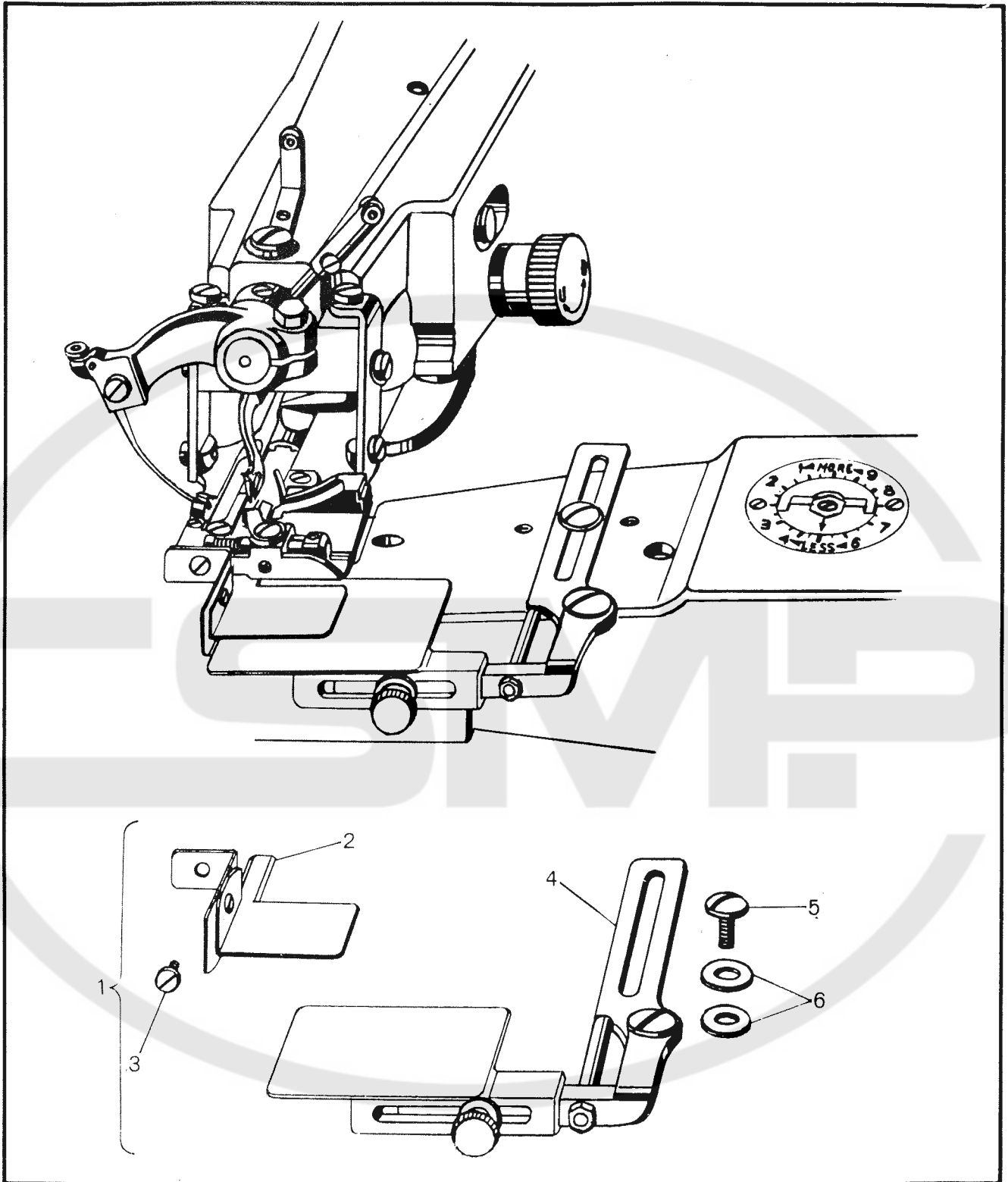
Ridge Forming Disc No. B4536-640-000 (Sharp Point) is standard type for Model CB-638

*Round Point types are available on request

*All parts other than the above are same as those used in model CB-640.

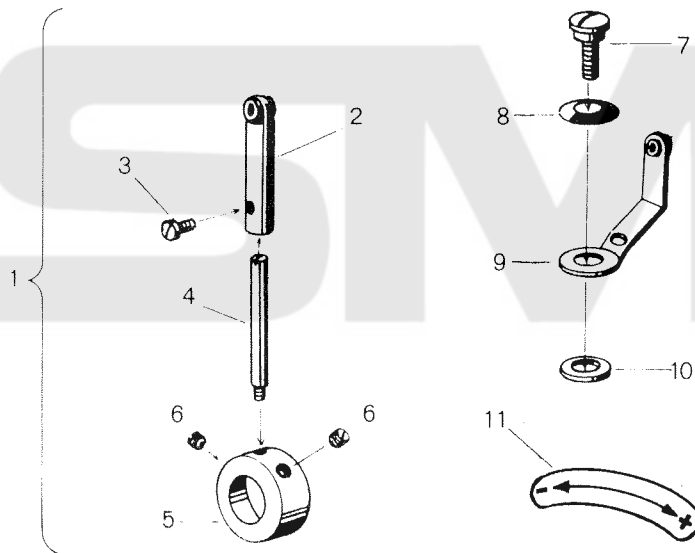
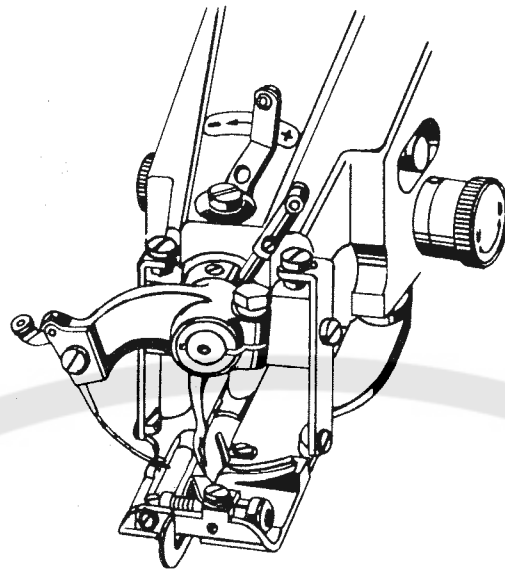
ATTACHMENT

Uncurling Guide



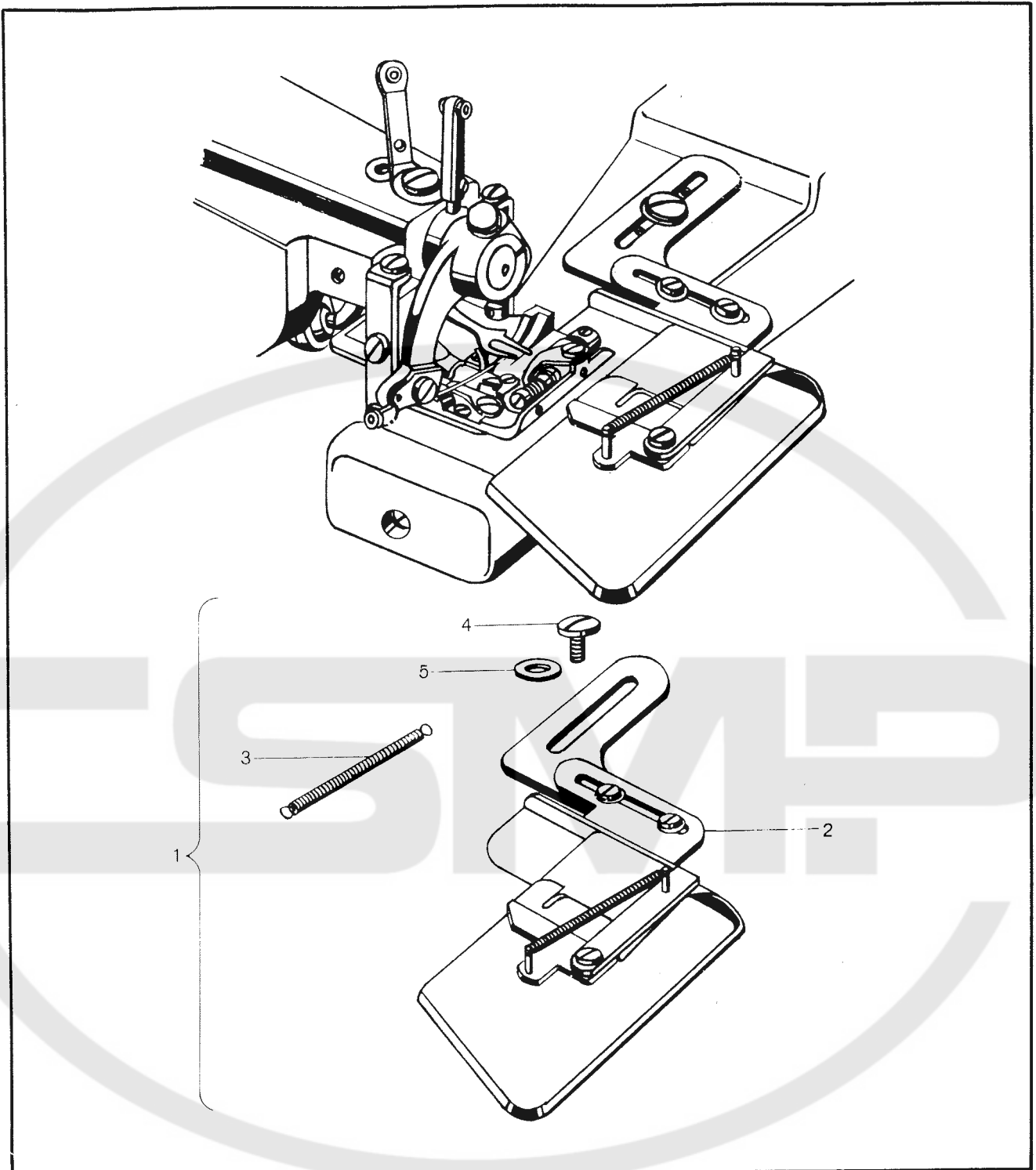
Ref. No.	Part No.	Description	Amt. Req.
1	B4365-640-0A0	Uncurling Guide Complete (Ref. Nos. 2-6)	1
2	B4775-640-000	Edge Guide	1
3	SS-7060320-SP	Edge Guide Set Screw	1
4	B4776-640-000	Uncurling Guide (Right)	1
5	SS-7111150-SP	Uncurling Guide (Right) Set Screw	1
6	B4372-640-000	Uncurling Guide (Right) Washer	2

Thread Controller



Ref. No.	Part No.	Description	Amt. Req.
1	B4364-640-0A0	Thread Controller Complete (Ref. Nos. 2-11)	1
2	B4770-640-000	Thread Tension Staff	1
3	SS-7060320-SP	Thread Tension Staff Set Screw	1
4	B4769-640-000	Thread Tension Staff Screwed Pin	1
5	CS-1110611-SP	Needle Carrier Shaft Collar	1
6	SS-8110340-SP	Needle Carrier Shaft Collar Set Screw	2
7	SD-0730301-SP	Thread Tension Regulating Lever Set Screw	1
8	WZ-0760450-KP	Thread Tension Regulating Lever Spring Washer	1
9	B4772-640-000	Thread Tension Regulating Lever	1
10	B4598-640-000	Thread Tension Regulating Lever Washer	1
11	B4774-640-000	Thread Tension Indicating Label	1

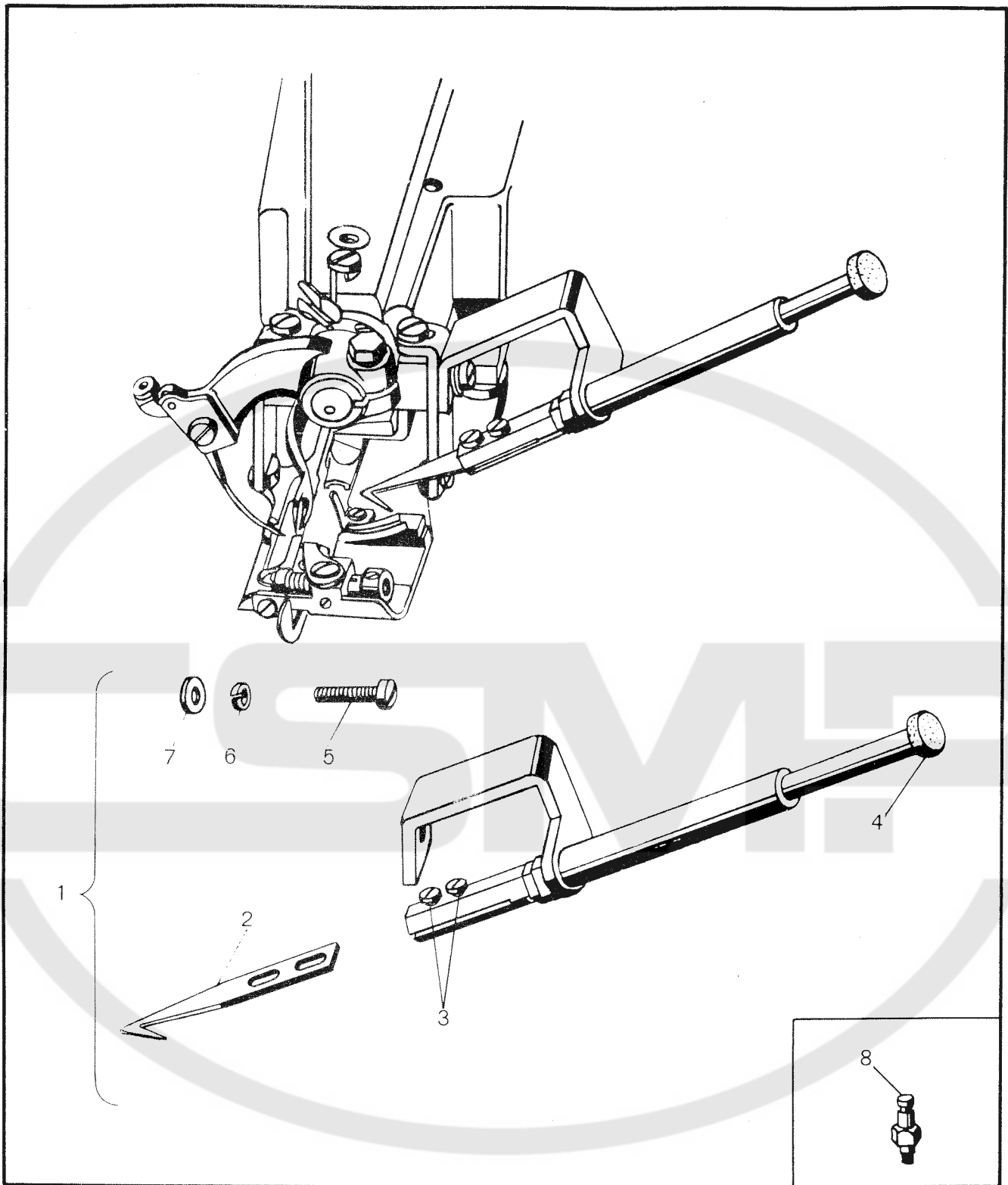
Auto-Open Hemmer



Ref. No.	Part No.	Description	Amt. Req.
1	B4366-640-0A0	Auto-Open Hemmer Complete (30 m/m)	1
	B4367-640-0A0	Auto-Open Hemmer Complete (35 m/m)	1
	B4368-640-0A0	Auto-Open Hemmer Complete (40 m/m)	1
2	B4786-640-000	Auto-Open Hemmer	1
3	B4787-640-000	Auto-Open Hemmer Spring	1
4	SS-7111150-SP	Auto-Open Hemmer Set Screw	1
5	WP-0841601-SD	Auto-Open Hemmer Washer	1

Other sizes except the above to be inquired.

Manual Thread Cutter (TMC-10)



Ref. No.	Part No.	Description	Amt. Req.
1	B4325-640-0A0	Manual Thread Cutter Complete (Ref. Nos. 2-8)	1
2	B4839-640-000	Knife	1
3	SS-7080820-SP	Knife Set Screw	2
4	B4629-640-000	Rubber Cap	1
5	SS-7091610-SP	Knife Bracket Set Screw	1
6	WS-0410002-KH	Knife Bracket Spring Washer	1
7	WP-0450836-SD	Knife Bracket Washer	1
8	B4840-640-000	Cloth Retainer Spring Pin	1

NUMERICAL INDEX OF PARTS

索引

Part No. 品番	Page 頁	Ref. No.	Part No. 品番	Page 頁	Ref. No.	Part No. 品番	Page 頁	Ref. No.	Part No. 品番	Page 頁	Ref. No.
EXCLUSIVE PARTS "B" 専用部品 "B"			B4515-640-000	28	29	B4662-640-000	12	19	B4750-640-000	2	18
B3457-640-000	6	33	B4516-640-000	28	14	B4663-640-000	28	36	B4751-640-000	2	12
B4301-640-000	20	7	B4517-640-000	8	37	B4664-640-000	12	31	B4752-640-000	16	13
B4302-640-000	20	8	B4518-640-000	8	38	B4665-640-000	14	4	B4754-640-000	16	21
B4303-640-000	20	9	B4525-640-000	28	38	B4666-640-000	18	1	B4755-640-000	16	20
B4304-640-000	20	11	B4526-640-000	12	28	B4667-640-000	18	9	B4756-640-000	18	20
B4305-640-000	20	12	B4527-640-000	24	20	B4668-640-000	18	12	B4757-640-000	18	21
B4306-640-000	20	13	B4527-640-000	12	29	B4669-640-000	18	13	B4758-640-000	18	22
B4308-640-000	20	3	B4528-640-000	24	19	B4670-640-000	18	2	B4759-640-000	18	25
B4309-640-000	2	11	B4528-640-000	12	30	B4671-640-000	2	6	B4760-640-000	16	9
B4312-640-0A0	28	1	B4531-640-000	12	9	B4672-640-000	2	1	B4762-640-000	28	7
B4314-640-0A0	8	19	B4532-640-000	12	14	B4673-640-000	2	4	B4763-640-000	28	31
B4315-640-0A0	22	1	B4533-640-000	12	15	B4674-640-000	2	14	B4764-640-000	28	32
B4319-640-0A0	28	12	B4534-640-000	12	16	B4675-640-000	2	19	B4769-640-000	30	4
B4323-640-0A0	24	1	B4535-640-000	12	5	B4680-640-000	4	4	B4770-640-000	30	2
B4325-640-0A0	32	1	B4536-640-000	28	39	B4681-640-000	6	1	B4772-640-000	30	9
B4326-640-000	16	7	B4538-640-000	28	3	B4682-640-000	4	3	B4774-640-000	30	11
B4327-640-000	16	6	B4540-640-000	2	2	B4683-640-000	6	3	B4775-640-000	29	2
B4328-640-000	16	5	B4541-640-000	14	40	B4684-640-000	6	2	B4776-640-000	29	4
B4330-640-000	18	5	B4544-640-000	18	15	B4686-640-000	2	3	B4777-640-000	26	19
B4346-640-000	8	17	B4545-640-000	18	16	B4687-640-000	18	4	B4778-640-000	28	40
B4347-640-0A0	28	37	B4546-640-000	20	5	B4688-640-000	16	1	B4779-640-000	28	40
B4348-640-000	12	24	B4547-640-000	20	4	B4689-640-000	6	15	B4780-640-000	28	40
B4350-640-000	12	35	B4548-640-000	20	1	B4690-640-000	2	17	B4781-640-000	24	2
B4351-640-0A0	8	1	B4549-640-000	18	11	B4691-640-000	2	16	B4782-640-000	24	9
B4352-640-0A0	8	9	B4560-640-000	16	19	B4692-640-000	2	21	B4783-640-000	24	14
B4353-640-000	6	27	B4561-640-000	16	3	B4699-640-000	16	23	B4784-640-000	24	11
B4354-640-000	4	17	B4562-640-000	4	27	B4701-640-000	28	2	B4785-640-000	24	7
B4355-640-000	4	20	B4563-640-000	12	3	B4702-640-000	4	10	B4786-640-000	31	2
B4356-640-0A0	6	18	B4564-640-000	16	10	B4702-640-000	26	2	B4787-640-000	31	3
B4358-640-000	10	7	B4566-640-000	18	18	B4704-640-000	4	15	B4815-640-000	8	16
B4359-640-000	14	11	B4569-640-000	22	2	B4704-640-000	26	7	B4827-640-000	6	29
B4360-640-0A0	18	19	B4571-640-000	22	7	B4706-640-000	4	18	B4828-640-000	6	38
B4362-640-000	26	9	B4572-640-000	22	5	B4706-640-000	4	18	B4829-640-000	6	37
B4363-640-000	26	12	B4575-640-000	22	16	B4706-640-000	26	10	B4830-640-000	6	36
B4364-640-0A0	30	1	B4576-640-000	22	12	B4707-640-000	4	16	B4831-640-000	6	42
B4365-640-0A0	29	1	B4579-640-000	24	12	B4707-640-000	26	8	B4832-640-000-A	6	44
B4366-640-0A0	31	1	B4580-640-000	24	21	B4708-640-000	4	21	B4839-640-000	32	2
B4367-640-0A0	31	1	B4581-640-000	24	26	B4710-640-000	22	20	B4840-640-000	22	17
B4368-640-0A0	31	1	B4582-640-000	24	25	B4710-640-000	12	1	B4840-640-000	32	8
B4372-640-000	29	6	B4582-640-000	24	25	B4711-640-000	26	1	B4841-640-000	22	21
B4375-640-000	12	36	B4583-640-000	24	23	B4711-640-000	4	9	B4842-640-000	22	21
B4375-640-000	6	40	B4595-640-000	24	18	B4712-640-000	26	5	B4843-640-000	22	21
B4375-640-000	26	22	B4598-640-000	30	10	B4712-640-000	4	13			
B4375-640-000	10	22	B4598-640-000	28	4	B4713-640-000	10	8	THRUST COLLAR	スラストカラー	
B4375-640-000	6	23	B4600-640-000	16	8	B4714-640-000	10	10	CS-0310611-S0	16	24
B4376-640-000	12	37	B4621-640-000	12	6	B4715-640-000	26	13	CS-0500611-S0	24	16
B4376-640-000	10	21	B4622-640-000	22	9	B4715-640-000	10	13	CS-0790711-S0	12	22
B4376-640-000	26	21	B4623-640-000	22	10	B4716-640-000	10	3	CS-0950711-SH	4	23
B4377-640-000	6	24	B4624-640-000	22	14	B4719-640-000	26	14	CS-1000911-SH	10	1
B4379-640-000	6	25	B4625-640-000	22	13	B4719-640-000	10	14	CS-1110611-SP	30	5
B4381-640-000	6	12	B4626-640-000	6	41	B4720-640-000	26	16	CS-1110621-SP	6	7
B4383-640-000	6	6	B4629-640-000	32	4	B4721-640-000	10	19	CS-1200911-SH	10	11
B4385-640-000	6	4	B4631-640-000	4	1	B4722-640-000	26	20	CS-1270811-SH	28	10
B4387-640-000	8	5	B4632-640-000	4	8	B4722-640-000	10	20	CS-1270811-SH	18	6
B4389-640-000	8	7	B4633-640-000	4	25	B4723-640-000	10	31			
B4390-640-000	8	10	B4635-640-000	4	5	B4724-640-000	10	27	NEEDLE	針	
B4501-640-000	6	30	B4636-640-000	28	6	B4726-640-000	10	25	MLW-6T081100	6	17
B4503-640-000	28	13	B4637-640-000	28	8	B4726-640-000	10	23	MLW-6T081100	20	10
B4504-640-000	8	20	B4638-640-000	4	14	B4727-640-000	10	23			
B4506-640-000	22	3	B4638-640-000	26	6	B4728-640-000	14	5	NUT	ナット	
B4506-640-000	8	23	B4639-640-000	12	20	B4730-640-000	14	6	NM-6060012-S0	2	23
B4506-640-000	28	16	B4641-640-000	6	9	B4731-640-000	14	9	NS-6090320-S0	12	18
B4506-640-000	24	5	B4642-640-000	6	10	B4732-640-000	14	1	NS-6110330-S0	10	30
B4508-640-000	8	30	B4643-640-000	12	8	B4733-640-000	14	3	NS-6110330-S0	10	26
B4508-640-000	28	23	B4644-640-000	12	10	B4734-640-000	10	5	NS-6110340-S0	14	22
B4509-640-000	8	28	B4645-640-000	12	12	B4735-640-000	14	29	NS-6110340-S0	12	26
B4509-640-000	28	21	B4646-640-000	12	13	B4736-640-000	14	32	NS-6150340-S0	10	6
B4510-640-000	28	18	B4647-640-000	12	17	B4737-640-000	14	27	NS-6150340-S0	16	11
B4511-640-000	8	25	B4648-640-000	14	20	B4738-640-000	14	25	NS-6150340-S0	16	27
B4512-640-000	28	20	B4650-640-000	14	18	B4739-640-000	14	12	NS-6150340-S0	16	18
B4512-640-000	8	27	B4652-640-000	14	42	B4740-640-000	14	14	NS-6150340-S0	16	22
B4513-640-000	28	25	B4653-640-000	14	43	B4741-640-000	14	16	NS-6640410-SP	8	11
B4513-640-000	28	25	B4654-640-000	12	33	B4742-640-000	14	17	NS-6680420-S0	8	3
B4513-640-000	8	32	B4655-640-000	14	39	B4743-640-000	14	46			
B4514-640-000	22	18	B4656-640-000	14	37	B4743-640-000	14	46	PIN	ピン	
B4514-640-000	8	21	B4657-640-000	14	34	B4744-640-000	16	26	PS-0300122-MZ	12	4
B4514-640-000	8	21	B4658-640-000	14	44	B4745-640-000	16	16			
B4514-640-000	28	27	B4659-640-000	14	35	B4747-640-000	16	14			
B4514-640-000	24	3	B4659-640-000	16	28	B4748-640-000	16	12			
B4515-640-000	8	34	B4661-640-000	14	23	B4749-640-000	2	8			

NUMERICAL INDEX OF PARTS

索引

Part No. 品番	Page 頁	Ref. No.	Part No. 品番	Page 頁	Ref. No.	Part No. 品番	Page 頁	Ref. No.	Part No. 品番	Page 頁	Ref. No.
SNAP RING			SS-7111320-SP	6	20	WASHER					
		止×輪	SS-7111520-SP	6	14			座金			
RE-0500000-KO	14	8	SS-7141010-TP	16	29	WP-0450836-S0	18	24			
			SS-7141010-TP	14	24	WP-0450836-S0	8	40			
SCREW		ネジ	SS-7141010-TP	14	36	WP-0450836-S0	32	7			
SD-0500652-SH	10	28	SS-7141610-SP	8	13	WP-0841601-S0	2	22			
SD-0550651-SP	14	21	SS-7151220-SP	14	13	WP-0841601-S0	31	5			
SD-0610151-SP	8	36	SS-7620810-SM	2	5	WS-0410002-KH	32	6			
SD-0620421-SP	6	34	SS-7620820-SP	24	13	WS-0510002-KH	10	29			
SD-0640281-SP	14	19	SS-7620820-SP	6	32	WS-0610002-KP	28	35			
SD-0640483-SP	14	26	SS-8080420-SP	28	22	WT-0530001-KH	6	31			
SD-0730301-SP	30	7	SS-8080420-SP	8	29	WT-0640001-KH	12	2			
SD-0791272-SP	12	27	SS-8090310-SP	16	25	WT-0640001-KH	10	33			
SK-1452500-SZ	20	6	SS-8090310-SP	8	31	WZ-0760450-KP	30	8			
SK-3452500-SH	18	27	SS-8090310-SP	24	17						
SM-9069053-SP	2	20	SS-8090310-SP	28	24						
SS-1080710-SM	12	34	SS-8100610-TP	8	14						
SS-1090940-SP	14	28	SS-8110340-SP	12	23						
SS-1110910-SP	10	15	SS-8110340-SP	30	6						
SS-1110910-SP	28	33	SS-8110340-SP	14	10						
SS-1110910-SP	26	15	SS-8110340-SP	6	8						
SS-2111510-SP	12	25	SS-8110340-SP	14	2						
SS-5090210-SP	8	24	SS-8110340-SP	4	24						
SS-5090210-SP	24	6	SS-8110340-SP	14	7						
SS-5090210-SP	28	17	SS-8110340-SP	6	39						
SS-5090210-SP	22	4	SS-8110340-SP	8	4						
SS-6060420-SP	6	22	SS-8110630-SH	20	2						
SS-6060420-SP	26	18	SS-8110630-SH	6	28						
SS-6060420-SP	10	18	SS-8110630-SH	14	38						
SS-6060420-SP	24	24	SS-8110630-SH	6	11						
SS-6060430-SM	28	15	SS-8140310-TP	26	11						
SS-6080630-SH	12	38	SS-8140310-TP	4	19						
SS-6090310-SP	24	8	SS-8140610-SP	18	7						
SS-6090550-SP	22	8	SS-8140610-SP	4	6						
SS-6091010-SH	24	10	SS-8140610-SP	28	11						
SS-6110910-SP	16	4	SS-8140610-SP	4	12						
SS-6110910-SP	12	32	SS-8140610-SP	26	4						
SS-6110910-SP	16	2	SS-8140710-TP	4	7						
SS-7060320-SP	30	3	SS-8140810-TP	26	3						
SS-7060320-SP	28	30	SS-8140810-TP	4	11						
SS-7060320-SP	8	22	SS-8141010-TP	14	15						
SS-7060320-SP	22	19	SS-8141210-TH	6	21						
SS-7060320-SP	29	3	SS-8150420-SP	16	17						
SS-7060320-SP	28	28	SS-8150420-SP	10	12						
SS-7060320-SP	8	35	SS-8150420-SP	6	43						
SS-7060320-SP	24	4	SS-8150420-SP	10	2						
SS-7060320-SP	8	26	SS-8150810-SP	26	17						
SS-7060320-SP	28	19	SS-8150810-SP	12	11						
SS-7080530-SP	6	26	SS-8150810-SP	12	21						
SS-7080620-SP	8	41	SS-8150810-SP	10	9						
SS-7080820-SP	28	9	SS-8150810-SP	16	15						
SS-7080820-SP	32	3	SS-8150810-SP	10	17						
SS-7080820-SP	8	15	SS-8150810-SP	10	4						
SS-7090420-SP	22	6	SS-8151410-SP	4	26						
SS-7090420-SP	8	33	SS-8151410-SP	4	2						
SS-7090420-SP	28	26	SS-8151410-SP	4	22						
SS-7090550-SM	2	13	SS-8151710-SP	8	2						
SS-7090640-SM	18	23	SS-8621810-SP	6	35						
SS-7090640-SM	2	7	SS-9110613-SP	14	45						
SS-7090640-SM	18	26	SS-9111313-SP	28	5						
SS-7090640-SM	2	9	SS-9151010-SP	18	17						
SS-7090720-SM	24	15	SS-9151010-SP	14	41						
SS-7090720-SM	22	15	SS-9151110-SP	18	3						
SS-7090810-SH	8	12	SS-9151110-SP	18	14						
SS-7090820-SM	22	11	SS-9151110-SP	18	8						
SS-7090820-SM	6	16	SS-9151313-SP	28	34						
SS-7091010-SP	8	6	SS-9151530-SP	10	32						
SS-7091220-SM	8	39	SS-9151720-SP	14	33						
SS-7091610-SP	32	5	SS-9152510-SP	18	10						
SS-7110620-SP	8	8	SS-9152813-SP	8	18						
SS-7110920-SP	6	19	SS-9621313-SP	24	22						
SS-7111150-SP	2	15	SS-9621710-SP	6	5						
SS-7111150-SP	29	5	SS-9660813-SP	6	13						
SS-7111150-SP	31	4									
SS-7111160-SP	14	30	PLUG		止×栓						
SS-7111160-SP	12	7	TA-1050504-RO	2	10						
SS-7111160-SP	10	24									
SS-7111210-SP	14	31									



JUKI

JUKI CORPORATION

HEAD OFFICE
8-2-1 KOKURYO-CHO,
CHOFU-CITY, TOKYO 182, JAPAN

BUSINESS OFFICE
1-23-3 KABUKI-CHO
SHINJUKU-KU, TOKYO 160, JAPAN

PHONE : 03(3205)1188, 1189, 1190
FAX : 03(3203)8260, (3205)9131
TELEX : J22967, 232-2301

JUKI 株式会社

〒182 東京都調布市国領町8-2-1
TEL. 03-3480-1111(代表)

工業製品販売本部
TEL. 03-3480-1113(ダイヤルイン)

お買い求め、ご相談は

To order or for further
information,
please contact :

※このパーツリストは商品改良のため予告なく変更する事があります。

* The description covered in this parts list is subject to change for improvement of the commodity without notice.

※このパーツリストは、1993年7月現在の商品仕様で編集・印刷したものです。

* This parts list is edited and printed in accordance with the product specifications as of July 1993.